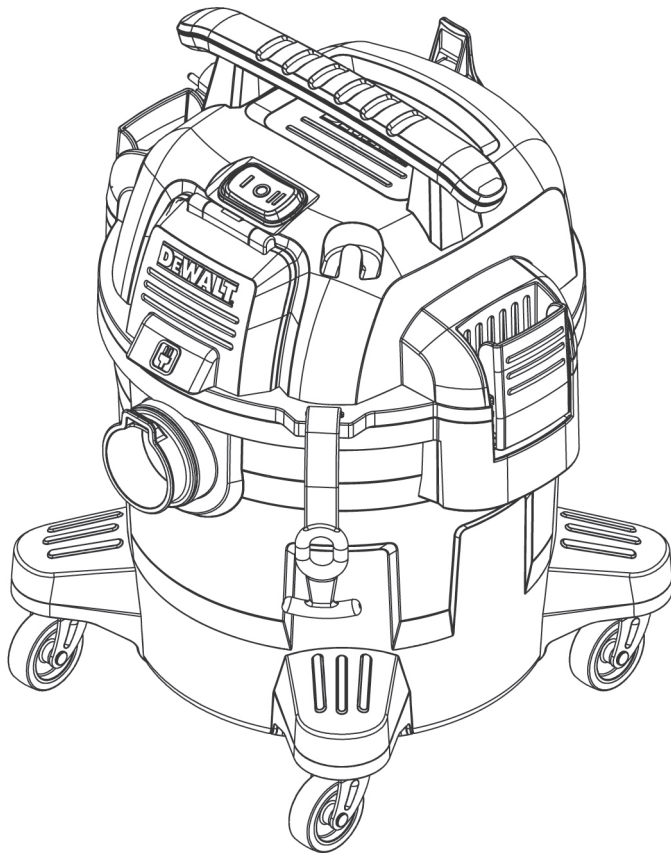


DEWALT®



www.DEWALT.com

DXV20PTA

EN (original instructions).....	6 - 12
H (az eredeti angol használati fordítása).....	13 - 20
SK (preklad pôvodného návodu na použitie v anglickom jazyku).....	21 - 28
RO (traducerea din limba engleză a originalului).....	29 - 36
D (Übersetzung der originalen englischen Bedienungsanleitung).....	37 - 44
SRB-MNE (prevod originalnog uputstva sa engleskog jezika).....	45 - 51
HR-BIH (prijevod izvorne engleske upute za uporabu).....	52 - 57

Fig. A

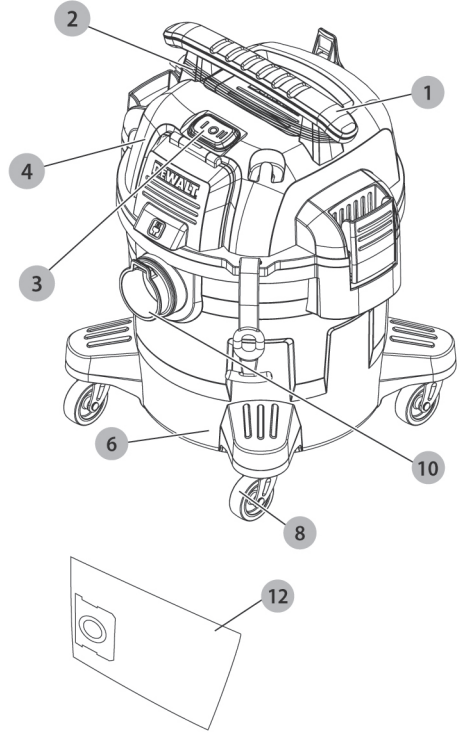
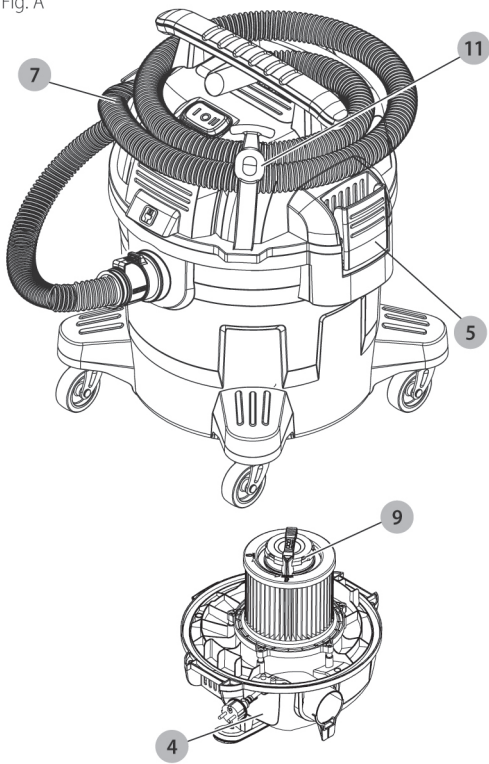


Fig. B

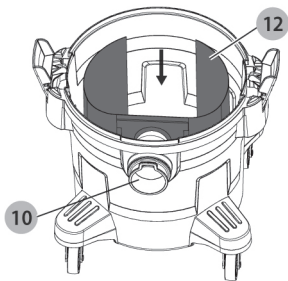


Fig. C

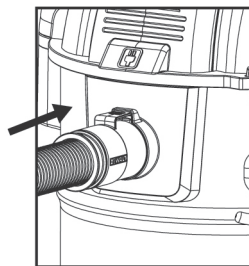


Fig. D

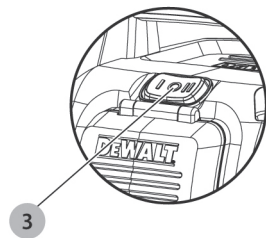


Fig. E

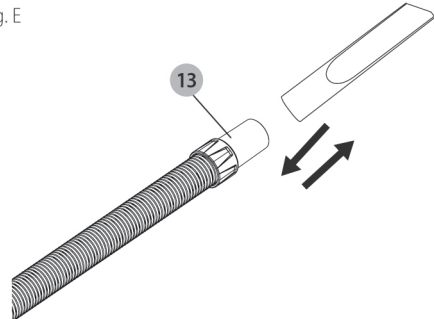


Fig. F

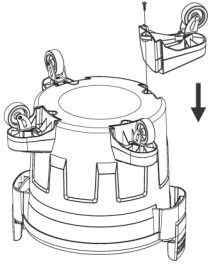


Fig. G

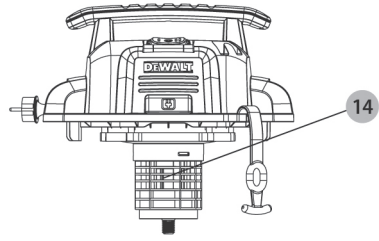


Fig. H

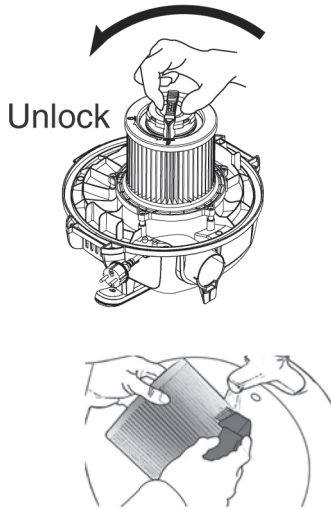


Fig. I

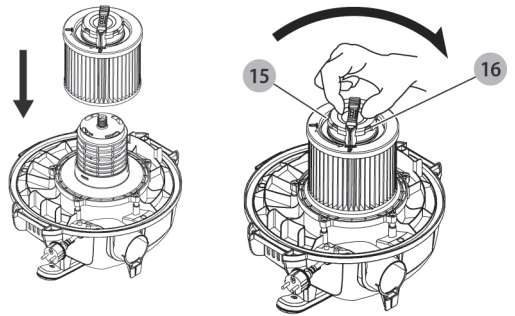


Fig. J

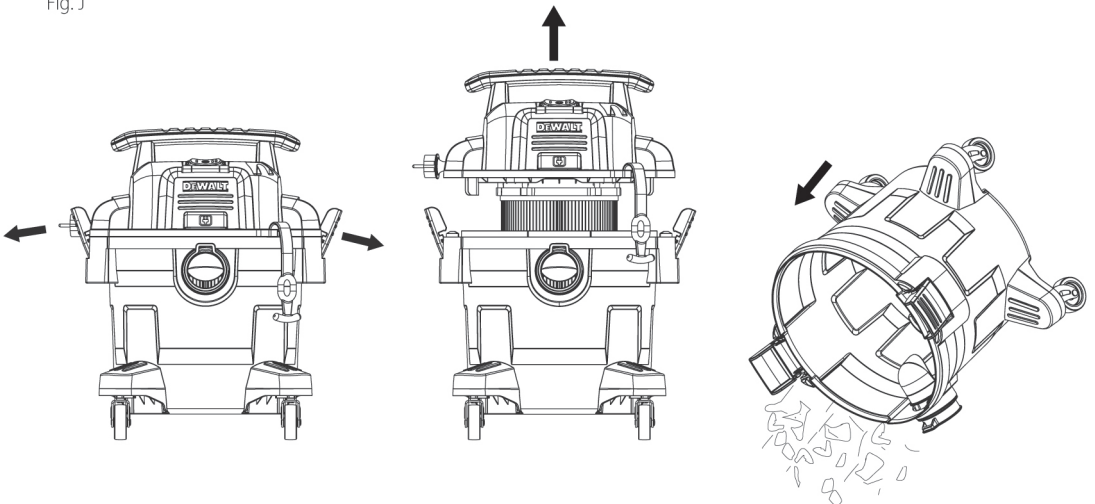


Fig. K

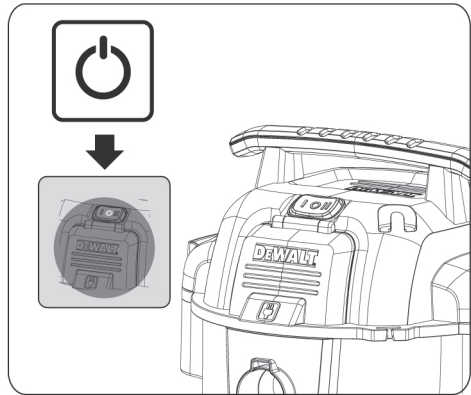
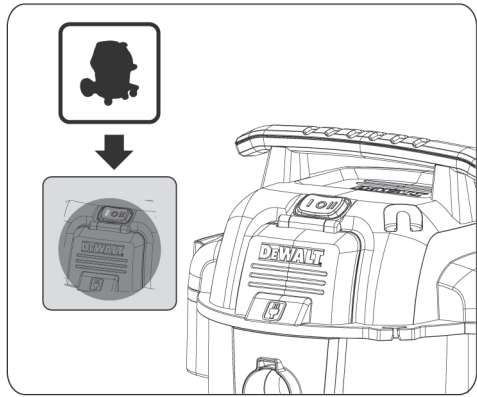
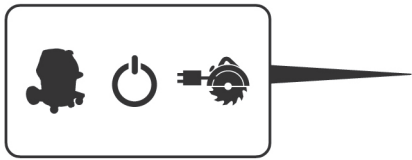
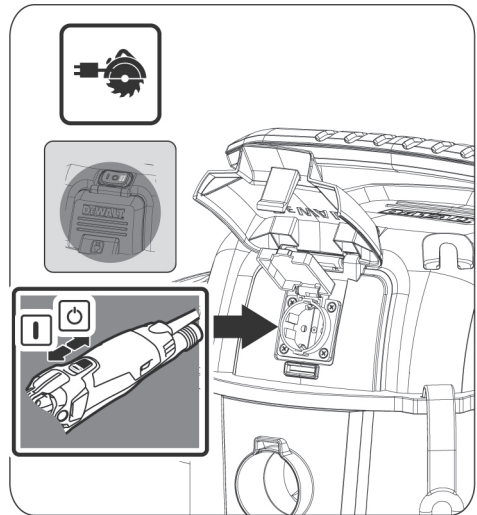
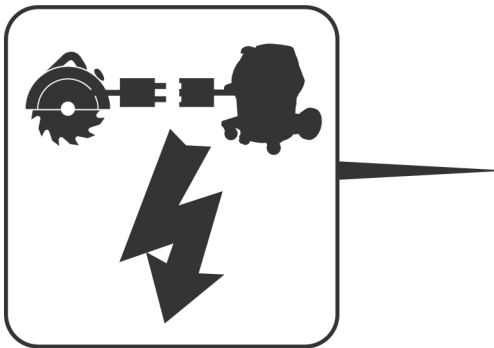


Fig. L



PRODUCT SPECIFICATIONS

Model	DXV20PTA
Power	220-240 V / 50/60 Hz / 1050 W
Seal pressure	15 kPa
Air flow	37,8 l/s
Tank capacity	20 l
Hose	48 mm x 2,1 m
Power cord	H07RN-F,3G × 1.5mm ² / 3.05m

PACKAGE CONTENTS

The package contains:

- 1 48 mm x 2.1 m Hose (DXVA19-2558)
 - 2 Extension Wands (DXVA19-1202)
 - 1 Round Brush(DXVA19-2400)
 - 1 Utility Nozzle(DXVA19-1300)
 - 1 Floor Nozzle (DXVA19-1900D)
 - 1 Disposable Dust Bag (DXVA19-4204)
 - 1 Clean Connect™ Filter (DXVC4001)
 - 1 Crevice Nozzle(DXVA19-1400)
 - 1 Instruction Manual
 - 1 Mesh Accessory Bag (DXVA19-5158)
 - 1 Screw Package
 - 4 Casters
- Check for damage to the tool, parts or accessories which may have occurred during transport.
 - Take the time to thoroughly read and understand this manual prior to operation.

DEFINITIONS: SAFETY GUIDELINES

The definitions below describe the level of severity for each signal word. Please read the manual and pay attention to these symbols.

▲ DANGER: Indicates an imminently hazardous situation which, if not avoided, will result in death or serious injury.

▲ WARNING: Indicates a potentially hazardous situation which, if not avoided, could result in death or serious injury.

▲ CAUTION! Indicates a potentially hazardous situation which, if not avoided, may result in minor or moderate injury.

NOTICE: Indicates a practice not related to personal injury which, if not avoided, may result in property damage.

IMPORTANT SAFETY INSTRUCTIONS

▲ WARNING: When using electric appliances, always follow basic safety precautions to reduce the risk of fire, electric shock and personal injury, including the following:

BEFORE USING THE APPLIANCE, READ AND FOLLOW ALL INSTRUCTIONS.

▲ WARNING: To reduce the risk of electric shock. Do not expose to rain. Store indoors.

- Do not leave the appliance when it is connected to a power source. Unplug it from outlet when not in use and before servicing.
- Do not allow the appliance to be used as a toy. Pay close attention when the appliance is used by or near children.
- Use the appliance ONLY as described in the manual. Use only DEWALT recommended attachments.
- Do not use the appliance with a damaged cord or plug. If the appliance is not working correctly, or if it has been dropped, damaged, left outdoors, or dropped in water, return it to a service center.
- Do not pull or carry the appliance by the cord, use the cord as a handle, close a door on the cord, or pull the cord around sharp edges or corners. Do not run the appliance over the cord. Keep cord away from heated surfaces.
- Do not unplug the appliance by pulling on the cord. To unplug, grasp the plug, not the cord.
- Do not handle the plug or appliance with wet hands.
- Do not put any objects into the openings of the appliance. Do not use the appliance with any opening blocked; keep free of dust, lint, hair and anything else that may reduce air flow.
- Keep hair, loose clothing, fingers, and all body parts away from the openings and moving parts.
- Turn off all controls before unplugging the appliance.
- Use extra care when cleaning on stairs.
- Do not use the appliance to pick up flammable or combustible liquids, such as gasoline, or use in areas where flammable or combustible liquids are present.
- Static shocks are possible in dry areas or when the relative humidity of the air is low. This is only temporary and does not affect the use of the vacuum. To reduce the frequency of static shocks, add moisture to the air with a console, installed humidifier or use hose (standard on some models).
- To avoid spontaneous combustion, empty the dust tank after each use.

▲ CAUTION: The Appliance is not intended for use by people (including children) with reduced physical, sensory or mental capabilities, or lack of experience and knowledge, unless they have been given supervision or instruction concerning use of the appliance by a person responsible for their safety. Children should be supervised to ensure that they do not play with the appliance.

SAVE THESE INSTRUCTIONS

ADDITIONAL SAFETY RULES

- Do not pick up anything that is burning or smoking, such as cigarettes, matches, or hot ashes.
- Do not use to vacuum combustible explosive materials, such as coal, grain, or other finely divided combustible materials.
- Do not use to vacuum hazardous, toxic or carcinogenic materials, such as asbestos or pesticide.
- Never pick up explosive liquids (e.g. gasoline, diesel fuel, heating oil, paint thinner, etc.), acids or solvents

- Do not use vacuum without filters in place, except as described under **WET PICK UP APPLICATIONS**.
- Some wood contains preservatives which can be toxic. Take extra care to prevent inhalation and skin contact when working with these materials. Request and follow any safety information available from the material supplier.
- Do not use vacuum as a step ladder.
- Do not place heavy objects on vacuum.
- An extension cord must have adequate wire size for safety.
- If an extension cord is to be used outdoors it must be marked.

▲ WARNING:

To reduce the exposure to these chemicals, wear approved safety equipment such as dust masks that are specially designed to filter out microscopic particles.

ON MOTOR HOUSING:**▲ WARNING:**

- TO REDUCE THE RISK OF INJURY, USER MUST READ INSTRUCTION MANUAL. DO NOT LEAVE THE VACUUM UNATTENDED WHEN IT IS SWITCHED ON. DO NOT PICK UP FLAMMABLE, COMBUSTIBLE OR HOT MATERIALS. DO NOT USE AROUND EXPLOSIVE DUST, LIQUIDS OR VAPORS. ELECTRICAL DEVICES PRODUCE ARCS OR SPARKS WHICH CAN CAUSE FIRE OR EXPLOSION. DO NOT USE AT FILLING STATIONS OR ANYWHERE GASOLINE IS STORED OR DISPENSED. DO NOT VACUUM TOXIC OR CARCINOGENIC MATERIALS OR OTHER HEALTH ENDANGERING MATERIALS SUCH AS ASBESTOS OR PESTICIDES. ALWAYS USE PROPER EYE AND RESPIRATORY PROTECTION. TO REDUCE THE RISK OF ELECTRICAL SHOCK, DO NOT EXPOSE TO RAIN. STORE INDOORS. WHEN SERVICING, USE ONLY IDENTICAL REPLACEMENT PARTS. NOT TO BE USED AS A STEP STOOL.

SAVE THESE INSTRUCTIONS**OPERATING INSTRUCTIONS****UNPACKING & SETUP SUMMARY**

1. Pull lid latches in an outward motion, remove power head and some accessories that may have been shipped in the tank.
2. Attach heavy-duty rubberized casters following the instructions in this manual.
3. Before replacing power head, refer to this manual to ensure you have the proper filters installed for the cleaning operation.
4. Replace power head, and apply pressure with thumb to each latch until it snaps tightly in place. Make sure all lid latches are clamped securely.
5. Insert the end of the hose into the inlet of the tank.
6. Attach the extension wands to the end of the hose. Apply slight pressure until fitting is tight.
7. Attach one of the cleaning accessories (depending on the cleaning requirements) to the extension wands. Twist slightly to tighten the connection.
8. Plug the cord into the wall outlet. The vacuum is ready for use.

▲ WARNING:

To reduce the risk of fire or explosion, do not operate this vac in areas with flammable gases, vapors or explosive dust in the air. Flammable gases or vapors include but are not limited to: lighter fluid, solvent-type cleaners, oil-based paints, gasoline, alcohol or aerosol sprays. Explosive dusts include but are not limited to: coal, magnesium, aluminum, and grain or gun powder. Do not vacuum explosive dust, flammable or combustible liquids or hot ashes. Do not use this vac as a sprayer for any flammable or combustible liquid. To reduce the risk of health hazards from vapors or dusts, do not vacuum toxic materials.

▲ WARNING:**SERVICING OF DOUBLEINSULATED WET/DRY VAC**

In a double-insulated Wet/Dry Vac, two systems of insulation are provided instead of grounding. No grounding means is provided on a double-insulated appliance, nor should a means for grounding be added. Servicing a double-insulated Wet/Dry Vac requires extreme care and knowledge of the system and should be done only by qualified service personnel. Replacement parts for a double-insulated Wet/Dry Vac must be identical to the parts they replace. This double-insulated Wet/Dry Vac is marked with the words "DOUBLE-INSULATED" and the symbol (square within a square) may also be marked on the appliance. To reduce the risk of injury from electrical shock, unplug power cord before servicing the electrical parts of the Wet/Dry Vac.

▲ WARNING:

If the supply cord is damaged, it must be replaced by the manufacturer or its service agent or similar qualified person in order to avoid a hazard.

▲ WARNING:

Remove the plug from the socket before performing maintenance. Before using the machine make sure that the frequency and voltage shown on the rating plate correspond with the mains voltage. Specifications and details are subject to change without prior notice. The accessories shown in the pictures may vary from model to model.

IMPORTANT SAFEGUARDS

The symbol on the product or packaging indicates that the product must not be treated as domestic refuse. Instead, it should be handed in to a collection point for the recycling of electrical and electronic components. By ensuring the product is treated in the right way, this will help to prevent the negative impact on environment and health that may result from the product being thrown away as general waste. For further information about recycling, you should contact the local authorities, refuse collection service or the sales outlet where you bought the goods.

PROTECTING THE ENVIRONMENT

Separate collection. Products and batteries marked with this symbol must not be disposed of with normal household waste. Products and batteries contain materials that can be recovered or recycled reducing the demand for raw materials. Please recycle electrical products and batteries according to local provisions. Further information is available at www.2helpU.com.

DESCRIPTION (Fig. A)

▲ WARNING: Never modify the power appliance or any part of it. Damage or personal injury could result.

- 1 Top handle/cord wrap
- 2 Power cord
- 3 On/off switch
- 4 Vacuum head
- 5 Lid latches
- 6 Dust tank
- 7 Hose
- 8 Casters
- 9 Clean Connect™ filter
- 10 Vacuum port
- 11 Hose strap
- 12 Disposable dust bag

ASSEMBLY AND ADJUSTMENTS (Fig. A–C)

▲ WARNING: To reduce the risk of injury, turn appliance off and disconnect appliance from power source before installing and removing accessories, before adjusting or changing set-ups or when making repairs. An accidental start-up can cause injury.

▲ WARNING: The filter 9 must always be in place while vacuuming, except as described under **WET PICK UP APPLICATIONS** under **OPERATION**.

When vacuuming fine dust, you may also need to use an disposable dust bag to make emptying the dust tank easier.

1. Install the disposable dust bag 12, as shown in Fig. B.
NOTE: Be careful not to tear the bag. Place bag securely onto vacuum port 10 to provide a tight seal for maximum dust collection performance.
2. Place the vacuum head 4 onto the dust tank and secure it by closing the lid latches 5.
3. Insert the end of hose 7 into clip-in hose vacuum port 10 and tighten the end of hose to the tank.

OPERATION

INSTRUCTIONS FOR USE (Fig. A, D, E)

▲ WARNING: Always observe the safety instructions and applicable regulations.

1. Plug the power cord into an appropriate outlet.
2. Turn the on/off switch 3 to the ON position (I).
3. The DEWALT construction dust extractor is fitted with the DEWALT connection system. It allows a fast, secure connection between the hose 7 and power tool. The connector 13 connects directly to DEWALT compatible tools or through the use of an adapter (available from local DEWALT supplier). If you need to install the adapters, refer to Fig. E.
NOTE: If using an adapter ensure it is firmly attached to the tool outlet before following the steps below.

OPERATING INSTRUCTIONS

CASTER INSTALLATION (Fig. A, F)

1. Invert the dust tank and install the casters to the bottom of the dust tank and fix them with screws.
2. Return dust tank assembly upright.

REMOVE/CHANGE USED DISPOSABLE DUST BAG (Fig. A)

▲ WARNING: Appropriate personal protective equipment like dust mask and gloves should be used while handling used dust bags.

1. Turn off vacuum and unplug cord from outlet.
2. Unlatch lid latches 5 and remove vacuum head 4.
3. Pull the disposable dust bag 12 carefully from vacuum port 10.
4. Seal the disposable dust bag 12 opening tightly when removing it from the machine.
5. Dispose the disposable dust bag 12 in appropriate container according to statutory provisions.

WET PICK UP APPLICATIONS (Fig. A, G)

▲ WARNING: If foam or liquid escapes from the machine, switch off immediately.

▲ WARNING: Do not use the machine with this set up for dust Class L.

The ball float 14 will block air to the motor when the dust tank is full and the sound of the motor will change at once. When the motor has a high pitched sound and air/water flow stops, empty the dust tank.

1. Turn off vacuum and unplug cord from outlet.
2. Unlatch lid latches 5 and remove vacuum head 4.
3. Empty contents of dust 6 tank into a suitable container or drain.

▲ CAUTION! Clean the water level limiting device regularly and examine it for signs of damage. Refer to Fig. G.

▲ NOTICE: DO NOT remove ball float 14, doing so will cause damage to the vacuum. The ball float keeps water from entering the motor.

Before using the vacuum for wet pick up:

- Ensure the dust tank is empty and free of excessive dust.
- Remove the filter 9.

TO CONVERT BACK TO DRY VACUUM OPERATION (Fig. A)

1. Empty dust tank, refer to **TO EMPTY DUST TANK** instructions.
2. Place dust tank upside down position until dry. DO NOT use wet dust tank for dry pick up.
3. Place vacuum head 4 on a level surface appliance dry.
4. Reinstall filters when vacuum head is dry. Refer to **TO INSTALL FILTERS**.
5. When dust tank is dry place the vacuum head 4 onto the dust tank and secure it by closing the lid latches 5.

SHUT DOWN/TRANSPORTATION (Fig. A)

1. Turn on/off switch ③ to the OFF position.
2. Unplug the unit.
3. Store the power cord ② wrapping it around the top handle/cord wrap ① as shown.
4. When transporting in vehicles, secure the machine.

MAINTENANCE

The DEWALT appliance has been designed to operate overall long period of time with a minimum of maintenance. Continuous satisfactory operation depends upon proper appliance care and regular cleaning.

▲ WARNING: To reduce the risk of injury, turn appliance off and disconnect appliance from power source before installing and removing accessories, before adjusting or changing set-ups or when making repairs. An accidental start-up can cause injury.

▲ WARNING: For user servicing, the machine must be dismantled, cleaned and serviced, as far as is reasonably practicable, without causing risk to the maintenance staff and others. Suitable precautions include, decontamination before dismantling, provision for local filtered exhaust ventilation where the machine is dismantled, cleaning of the maintenance area and suitable personal protection.

- The manufacturer, or an instructed person, shall perform a technical inspection at least annually, consisting of, for example, inspection of the filter for damage, air tightness of the machine and proper function of the control mechanism.
- When carrying out service or repair operations, all contaminated items which cannot be satisfactorily cleaned, are to be disposed of; such items shall be disposed of in impervious bags in accordance with any current regulation for the disposal of such waste.
- For dust extractors it is necessary to provide for an adequate air change rate L in the room if the exhaust air is returned to the room.

NOTE: Refer to national regulations is necessary.

FILTER (Fig. A, H, I)

FILTER CARE

The filters included with this vacuum are long life filters. To be effective in minimizing dust recirculation, the filters MUST be installed correctly and in good condition.

▲ WARNING: Appropriate personal protective equipment like dust mask and gloves should be used while handling the filters.

TO REMOVE FILTERS

1. Turn on/off switch ③ to the OFF position (O) and unplug cord from outlet.
2. Release lid latches ⑤ és vegye le a and remove vacuum head ④ from canister. Place vacuum head on a level surface upside down.
3. Turn each filter ⑨ counterclockwise by gripping it on the plastic end cover as shown, and carefully

remove from head, ensuring debris does not fall into mounting hole.

NOTE: Use care to not damage filter material.

4. If the bottom side of the vacuum head needs to be cleaned, use a cloth dampened with water and mild soap and allow it to dry. Dispose the cloth in an appropriate container.
5. Inspect filters for wear, tears or other damage.

NOTE: If there is any doubt on the condition of the filters they MUST be replaced. DO NOT continue use if filters are damaged.

▲ WARNING: Never use compressed air or a brush to clean filters, otherwise damage to the filter membrane will occur which will allow dust to pass through the filter.

If needed, gently tap against a hard surface or rinse with room temperature water and let air dry. Cleaning of the filters is typically unnecessary, even if the filter is covered with dust. The automatic filter cleaning system will maintain maximum performance and continue to function. If visual damage to the filter membrane exists, replace filters. Filters typically last between six and twelve months depending on use and care.

TO INSTALL FILTERS

1. Ensure filter seal ⑮ is in place and is secure.
2. Line up filter threads ⑮ to vacuum head threads and using moderate force, turn filter clockwise until tight.

NOTE: Use careful to not damage filter material.

3. Place the vacuum head ④ onto the dust tank and secure it by closing the lid latches ⑤.

TO EMPTY DUST TANK (Fig. J)

▲ WARNING: To reduce the risk of injury from accidental starting, unplug power cord before emptying the dust tank.

1. Remove the power head assembly of the wet/dry vac by pulling outward on the lid clips located on each side of the vac. Lift off the power head assembly.
2. Dump the tank contents into the proper waste disposal container.

BLOWING OPERATION

▲ WARNING: To avoid injury to bystanders, keep them clear of blowing debris.

▲ CAUTION! Wear a dust mask if blowing creates dust which might be inhaled.

▲ CAUTION! To reduce the risk of hearing loss, wear ear protectors when using the vac/blower for extended hours or when using it in a noisy area.

CONNECTING POWER TOOL (Fig. K, L)

1. Make sure on/off switch ③ is in the 'Off' position and the power supply is not connected.
2. There are 2 options for the next step. then connect the power supply and turn on/off switch ③ to the ON position (I), at this time the vacuum cleaner will start working. Then connect the power supply and turn on/off switch ③ to the ON position (I I), at this time the power tool can start to use.

▲ WARNING: Use the vacuum cleaner's socket outlet only for connection of an external power tool. The vacuum cleaner is automatically switched on and off via the connected power tool.

The connected load of the power tool may not exceed the maximum connected load PA of the vacuum cleaner's socket outlet. Please also observe the operating instructions and safety warnings of the power tool being connected to the socket outlet of the vacuum cleaner.

RECOMMENDATION: Always operate the vacuum cleaner via a residual current device (RCD) with a rated residual current of 200mA or less. Please ensure that the power tool switch is in the 'Off' position before connecting the tool to the vacuum. After switching off a power tool connected to the vacuum cleaner's socket outlet, the vacuum cleaner will run on for approx. 15 seconds and then automatically switch off.

ELECTRICAL SAFETY

1. **Power tool plugs must match the outlet. Never modify the plug in any way. Do not use any adapter plugs with earthed (grounded) power tools.** Unmodified plugs and matching outlets will reduce risk of electric shock.
2. **Avoid body contact with earthed or grounded surfaces, such as pipes, radiators, ranges and refrigerators.** There is an increased risk of electric shock if your body is earthed or grounded.
3. **Do not expose power tools to rain or wet conditions.** Water entering a power tool will increase the risk of electric shock.
4. **Do not abuse the cord. Never use the cord for carrying, pulling or unplugging the power tool. Keep cord away from heat, oil, sharp edges or moving parts. Damaged or entangled cords increase the risk of electric shock.**
5. **When operating a power tool outdoors, use an extension cord suitable for outdoor use.** Use of a cord suitable for outdoor use reduces the risk of electric shock.
6. **If operating a power tool in a damp location is unavoidable, use a residual current device(RCD) protected supply.** Use of an RCD reduces the risk of electric shock.
7. **The electric motor has been designed for one voltage only.** Always check that the power supply corresponds to the voltage on the rating plate. If the supply cord is damaged, it must be replaced only by DEWALT or an authorised service organisation.

MAINS PLUG REPLACEMENT (U.K.&IRELAND ONLY)

If a new mains plug needs to be fitted:

- Safely dispose of the old plug.
- Connect the brown lead to the live terminal in the plug.
- Connect the blue lead to the neutral terminal.
- Connect the yellow/green lead to the earth terminal.

Follow the fitting instructions supplied with good quality plugs. Recommended fuse: 13A.

▲ WARNING: Never use a light socket. Never connect the live (L) or neutral (N) wires to the earth pin marked E or.

USING AN EXTENSION CABLE

If an extension cable is required, use an approved 3-core extension cable suitable for the power input of this tool (see Technical Data). The minimum conductor size is 1.5 mm²; the maximum length is 30 m. When using a cable reel, always unwind the cable completely.

BLOWING FEATURE (Fig. C)

▲ WARNING: To avoid injury to bystanders, keep them clear of blowing debris.

The vacuum contains a blowing feature. It has the capability to blow sawdust and other debris. It can be used to blow dust and debris out of garages or off patios and driveways. Follow the steps below to use the vacuum as a blower.

1. Locate blowing port on the vacuum.
2. Insert one end of the hose into the blowing port.
3. Turn vacuum "ON".

STORAGE (Fig. A)

1. Empty dust tank, refer to **TO EMPTY DUST TANK** instructions.
2. Clean the vacuum inside and outside. refer to **CLEANING**.
3. Clean or replace filters, refer to **FILTER**.
4. Store the hose and the power cord, as shown in the **Fig. A**. Place the appliance in a dry room and secure it from unauthorized use.

OPTIONAL ACCESSORIES

▲ WARNING: Since accessories, other than those offered by DEWALT, have not been tested with this product, use such accessories with the appliance could be hazardous. To reduce the risk of injury, only DEWALT recommended accessories should be used with this product.

CLEANING

To keep the wet/dry vacuum looking its best, clean the outside with a cloth dampened with warm water and mild soap.

To clean the tank:

1. Dump out debris.
2. Wash tank thoroughly with warm water and mild soap.
3. Wipe with dry cloth.

TROUBLESHOOTING

▲ WARNING: TO REDUCE THE RISK OF INJURY FROM MOVING PARTS AND/OR ELECTRICAL SHOCK, TURN POWER SWITCH OFF AND DISCONNECT GROUNDED PLUG FROM ELECTRICAL OUTLET BEFORE PERFORMING TROUBLESHOOTING CHECKS.

Minor problems often can be fixed without calling customer service.

PROBLEM	SOLUTION
Motor does not run.	Check power cord, plugs and outlet.
	Ensure the on/off switch is in the ON position (I).
Suction capacity decreases.	Remove blockages in the floor nozzle, extension wands, hose or filter.
	Replace the disposable dust bag.
	Check for proper installation of the filter.
	Clean or replace the filter.
Vacuum stops running.	Empty dust tank, refer to TO EMPTY THE TANK under OPERATING INSTRUCTIONS .
	Thermal overload has been tripped:
	1. Turn the vacuum off and disconnect vacuum cleaner from power source.
	2. Empty the dust tank, if needed.
	3. Allow the unit to cool.
4. Plug the power cord into an appropriate outlet and turn on/off switch to the ON position (I) to test.	
Dust comes out while vacuuming.	Check for proper installation of the filter.
	Ensure filters are not damaged; replace if necessary.
	Ensure filter seals are in place and are secure.
	Check the fit of the vacuum head.

▲ WARNING:

If the supply cord is damaged, it must be replaced by the manufacturer, its service agent or a similarly qualified person in order to avoid a hazard.

▲ WARNING:

This product is **NOT** to be used for filtering of pathogens, for example COVID-19. Follow all local, state and federal guidance on general cleaning practices.

TOOL GUARANTEE



DEWALT is confident of the quality of its products and offers an outstanding guarantee for professional users of the product. This guarantee statement is in addition to and in no way prejudices your contractual rights as a professional user or your statutory rights as a private non-professional user. The guarantee is valid within the territories of the Member States of the European Union and the European Free Trade Area. Subject to the DEWALT European PPT Guarantee terms and conditions available from your local DEWALT office, seller or at www.2helpU.com, if your DEWALT product becomes defective due to faulty materials or workmanship within 36 months from the date of purchase, DEWALT may replace all defective parts free of charge, or at our discretion, replace the unit free of charge.

DEWALT reserves the right to refuse any claim under this guarantee which in the opinion of the authorised repair agent is not in accordance with the stated DEWALT European Guarantee terms and conditions. If you wish to make a claim, contact your seller or check the location of your nearest authorised DEWALT repair agent online, in the DEWALT catalogue or contact your DEWALT office at the address indicated in the instruction manual. A list of authorised DEWALT repair agents and full details of our after-sales service is available on the Internet at: www.2helpU.com

DEWALT EUROPEAN POWER TOOL (PT) 3 YEAR GUARANTEE

The DEWALT European PT Guarantee for your product is 3 years from the date of purchase subject to the following terms and conditions.

1. General terms and Conditions

- 1.1 The DEWALT European PT 3 Year Guarantee is available to the original DEWALT product user who has purchased the DEWALT products from an authorised DEWALT European reseller for use in the course of their trade or profession. The DEWALT European PT Guarantee is not available to persons purchasing DEWALT product for the purpose of resale or Hire.
 - 1.2 This guarantee is not transferrable. It is only available to the original DEWALT product user who has purchased the product as identified above.
 - 1.3 In addition to the terms and conditions outlined in this document, the terms and conditions stated in the DEWALT European PT Guarantee also apply.
 - 1.4 A product repair or replacement under this guarantee does not extend or renew the guarantee period. The 3 year guarantee period starts from the original purchase date and ends 36 months later.
 - 1.5 This product is excluded from the DEWALT 30-1-1 policy withdrawn 01-01-2016.
2. Products excluded from the DEWALT European PT 3 Year Guarantee. In addition to the product exclusions stated in the DEWALT European PT Guarantee, section 3, the following DEWALT branded products are also excluded:
 - Fastening Tools e.g. Nailers, Powder Impact tools.
 - Batteries and Chargers.
 - Rebuilt or Reconditioned products identified with additional markings – “Factory rework” and/or “Q”.
 - Compressors and generators.
3. Making a Guarantee Claim
 - 3.1 To make a guarantee claim contact your seller or check the location of your nearest DEWALT authorised DEWALT repair agent at www.2helpU.com.
 - 3.2 The DEWALT Tool must be returned to the seller or an authorised DEWALT repair agent with all parts complete, with the original proof of purchase.
 - 3.3 DEWALT reserves the right to refuse any claim under this guarantee which in the opinion of the authorised repair agent is not due to material or manufacturing defect or in accordance with the stated DEWALT European PT Guarantee terms and conditions.
4. Changes to Terms and Conditions
 - 4.1 DEWALT reserves the right to review and amend its guarantee policies, periods and product eligibility without notice as DEWALT considers appropriate.
 - 4.2 Current DEWALT European PT Guarantee Terms and Conditions are available from www.2helpU.com, your local DEWALT seller or DEWALT office.

TERMÉKSPECIFIKÁCIÓK

Modell	DXV20PTA
Áramellátás	220-240 V / 50/60 Hz / 1050 W
Szívóerő	15 kPa
Légszállítás	37,8 l/mp
Tartály űrtartalma	20 l
Tömlő	48 mm x 2,1 m
Tápkábel	H07RN-F,3G x 1.5mm ² / 3.05m

CSOMAG TARTALMA

A csomag tartalma a következő:

- 1 48 mm x 2,1 m gégecső (DXVA19-2558)
- 2 Toldócsövek (DXVA19-1202)
- 1 Körkefe (DXVA19-2400)
- 1 Általános fej (DXVA19-1300)
- 1 Padlótisztító fej (DXVA19-1900D)
- 1 Eldobható porzsák (DXVA19-4204)
- 1 Clean Connect™ szűrő (DXVC4001)
- 1 Résszívó fej (DXVA19-1400)
- 1 Használati útmutató
- 1 Tartozék tároló zsák (DXVA19-5158)
- 1 Csavarkészlet
- 4 Görgők

- Ellenőrizze a szerszámok, alkatrészek vagy kiegészítők állapotát, hogy a szállítás közben nem sérültek-e.
- Mielőtt megkezdene a készülék használatát, figyelmesen olvassa végig és értelmezze a kézikönyvet.

DEFINÍCIÓK: BIZTONSÁGI ÚTMUTATÓ

Az alábbi definíciók az egyes figyelmeztető szavakhoz társított veszély súlyosságára utalnak. Kérjük olvassa el a kézikönyvet és mindig figyeljen, ha ezeket a szimbólumokat látja.

▲ VESZÉLY: Olyan közvetlen veszélyhelyzetet jelöl, amely halálos vagy súlyos sérüléshez vezet.

▲ FIGYELMEZTETÉS: Olyan potenciális veszélyhelyzetet jelöl, amely halálos vagy súlyos sérüléshez vezethet.

▲ VIGYÁZAT! Olyan potenciális veszélyhelyzetet jelöl, amely könnyű vagy közepesen súlyos sérüléshez vezethet.

MEGJEGYZÉS: Olyan, személyi sérüléssel nem fenyegető gyakorlatot jelöl, amely anyagi kárt okozhat.

FONTOS BIZTONSÁGI UTASÍTÁSOK

▲ FIGYELMEZTETÉS: Elektromos készülékek használata során olvasson el minden biztonsági figyelmeztetést és útmutatást. A biztonsági figyelmeztetések és útmutatások be nem tartása áramütést, tüzet és/vagy súlyos sérülést okozhat.

A KÉSZÜLÉK HASZNÁLATA ELŐTT OLVASSA VÉGIG AZ UTASÍTÁSOKAT ÉS AZOKAT MINDIG TARTSA BE.

▲ FIGYELMEZTETÉS: Az áramütés elkerülése érdekében mindig legyen körültekintő a készülék használata során. A készüléket védje az esőtől, csapadéktól. A készüléket beltérben tárolja.

- Ne hagyja a készüléket őrizenlenül, ha az csatlakoztatva van a hálózati áramforrásra. Ha már nem használja a készüléket, és a készülék javítása előtt húzza ki a tápkábelt a konnektorból.
- Ne engedje, hogy gyermekek a készüléket játékként használják. Fokozottan figyeljen, ha a készüléket gyermekek közelében használja.
- A készüléket KIZÁRÓLAG a kézikönyvben megadott módon és célra használja. Kizárólag a DEWALT által is javasolt toldó elemeket használjon.
- Ha a tápkábel sérült, akkor ne használja a készüléket! Ha a készülék nem működik megfelelően, vagy ha a készülék leesett, megsérült, kint maradt, vízbe esett, vigye azt egy szerviz központba.
- Tilos a készüléket a tápkábelnél fogva húzni vagy emelni, a tápkábelt fogantyúként használni, arra ajtót rácsukni vagy éles szegélyek és sarkak körül húzni. A készüléket nem gurítsa át a saját tápkábelén. A tápkábelt tartsa távol a hőszigetelő felületektől.
- A készüléket soha ne a tápkábelnél fogva húzza ki a konnektorból. Mindig a dugónál fogva húzza ki a tápkábelt a fali aljzatból.
- Vizes kézzel ne nyúljon a csatlakozódugóhoz vagy a készülékhez.
- Ne helyezzen be semmit a készülék nyílásaiba. Tilos a készüléket elzárt szellőzőnyílásokkal használni. A szellőzőnyílásokról rendszeresen tisztítsa le a légáramlást korlátozó port, szöszöket vagy haját.
- A haját, laza, lógó ruházatot, ujjait és egyéb testrészeit tartsa távol a készülék nyílásaitól és a mozgó alkatrészekről.
- Mielőtt kihúzza a készüléket a fali aljzatból, kapcsolja ki az összes vezérlőjét.
- Legyen a megszokottnál is óvatosabb, ha a készüléket lépcsőn használja.
- Tilos a készüléket gyúlékony vagy éghető folyadékok, például benzin felszívására, illetve gyúlékony vagy éghető folyadékok környezetében használni.
- Száraz helyen, alacsony páratartalom esetén statikus kisüléseket tapasztalhat. Ez csupán átmeneti jelenség és nincs hatással a készülék rendeltetésszerű használatára. A statikus kisülések gyakorisága egy konzollal és felszerelt nedvesítő készülékkel csökkenthető. Használhatja erre a célra a tömlőt is (ami bizonyos modelleken alap tartozék).
- Az öngyulladás elkerülése érdekében a tartályt minden egyes használat után ürítse ki.

▲ VIGYÁZAT: Ezt a készüléket azok a személyek, akik csökkent fizikai, érzékelési vagy szellemi képességekkel rendelkeznek, vagy akiknek a tapasztalata és a tudása hiányzik, továbbá gyermekek csak abban az esetben használhatják, ha a készülék használatára vonatkozóan útmutatást kaptak a biztonságukért felelős személytől. A gyermekeket felügyelni kell, hogy ne játszanak a készülékkel.

ŐRIZZE MEG A HASZNÁLATI UTASÍTÁST

TOVÁBBI BIZTONSÁGI SZABÁLYOK

- Ne szívjon fel semmilyen égő vagy füstölő objektumot, például cigarettát, gyufát vagy forró parazsat.
- Ne szívjon fel gyúlékony vagy robbanásveszélyes anyagokat, például szenét, gabonát vagy más finomra őrölt gyúlékony anyagokat.
- Ne használja a készüléket veszélyes, toxikus vagy rákkeltő anyagok, például azbeszt vagy rovarirtó szerek felszívására.
- Soha ne szívjon fel robbanásveszélyes folyadékokat (pl. benzin, gázolaj, tüzelő olaj, hígító stb.), illetve savakat és oldószereket.
- Ne használja a készüléket szűrő nélkül, kivéve a **NEDVES PORSZÍVÓZÁSI MUNKÁK** alatt megadott esetekben.
- Bizonyos fa anyagok toxikus hatású tartósítószerrel tartalmazhatnak. Ilyen anyagokkal történő munkavégzés esetén fokozottan ügyeljen a toxikus anyagok belégzésének és bőrrel való érintkezésének megelőzésére. Kérje ki az anyag gyártójától a rendelkezésre álló biztonsági és kövesse az abban megadott utasításokat.
- Ne álljon rá a porszívóra.
- Ne helyezzen nehéz tárgyakat a porszívóra.
- Ha hosszabbító vezetékét használ, a biztonság érdekében a készülék teljesítményfelvételének megfelelő méretű 3 eres típust válasszon.
- Ha a szabadban használ hosszabbító vezetékét, akkor az legyen kültéri alkalmazásra jelölve.

▲ FIGYELMEZTETÉS:

A vegyi anyag expozíció korlátozása érdekében viseljen jóváhagyott egyéni védőfelszerelést, például kifejezetten a mikroszkopikus méretű részecskék kiszűrésére tervezett porvédő maszkot.

A MOTOR BORÍTÁSÁN:

▲ FIGYELMEZTETÉS:

- A SZEMÉLYI SÉRÜLÉSEK MEGELŐZÉSE ÉRDEKÉBEN KÖTELEZŐ A HASZNÁLATI ÚTMUTATÓ ELŐLVASÁSA! NE HAGYJA A PORSZÍVÓT BEKAPCSOLT ÁLLAPOTBAN FELÜGYELET NÉLKÜL. NE SZÍVJON FEL GYÚLÉKONY, ÉGHETŐ VAGY FORRÓ ANYAGOKAT! TILOS ROBBANÁSVESZÉLYES POROK, FOLYADÉKOK VAGY GŐZÖK KÖRNYEZETÉBEN HASZNÁLNI! AZ ELEKTROMOS KÉSZÜLÉKEK ÍVKISÜLÉST VAGY ELEKTROMOS SZIKRÁT BOCSÁTHATNAK KI, AMI TÜZET VAGY ROBBANÁST OKOZHAT. TILOS A KÉSZÜLÉKET ÜZEMANYAGTÖLTŐ ÁLLOMÁSOKON VAGY OLYAN HELY KÖZLÉBEN HASZNÁLNI,

AHOL BENZIN YÁTOLÁSA ÉS KIADAGOLÁSA TÖRTÉNIK. NE SZÍVJON FEL TOXIKUS VAGY RÁKKELTŐ, ÉS EGÉSZSÉGGÁROSÍTÓ ANYAGOKAT, PÉLDÁUL AZBESZT VAGY NÖVÉNYVÉDŐ SZEREKET. MINDIG VISELJEN MEGFELELŐ VÉDŐFELSZERELÉST A SZEMEK ÉS A LÉGZÉS VÉDELMEÉRE!

AZ ÁRAMÚTÉS ELKERÜLÉSE ÉRDEKÉBEN A KÉSZÜLÉKET ESŐBEN NE HASZNÁLJA! A KÉSZÜLÉKET BELTÉRBE TÁROLJA. A KÉSZÜLÉK JAVÍTÁSA ESETÉN KIZÁRÓLAG EREDETI, GYÁRI CSERE ALAKTRÉSZEKET HASZNÁLJON! TILOS A KÉSZÜLÉKRE RÁÁLLNI!

ŐRIZZE MEG A HASZNÁLATI UTASÍTÁST

HASZNÁLATI UTASÍTÁS

KICSOMAGOLÁS ÉS AZ ÖSSZESZERELÉS LÉPÉSEI

1. A tartály rögzítőfüleit húzza kifelé. Vegye ki a készülék tartályában szállított tartozékokat, például a szívófejet.
2. A nagy teherbírású, gumizott görgőket a kézikönyv utasításainak megfelelően szerelje fel a készülékre.
3. Eltérő szívófejek használata esetén ellenőrizze a kézikönyvben, hogy biztosan az adott tisztítási művelethez megfelelő szűrőket használja.
4. A hüvelykujjaival nyomja össze a szívófejen lévő zárat, majd kattanásig húzza rá a szívófejet a csőre. Ellenőrizze, hogy jól lezárta-e a tartály rögzítőfüleit is.
5. A tömlő végét csatlakoztassa a tartály bemenetére.
6. Helyezze fel a kívánt toldó tartozékokat a tömlőre. A tartozékok szoros illeszkedése érdekében, az összeszerelés során elegendő mértékű nyomást kell kifejteni.
7. Helyezze fel az egyik tisztító kiegészítőt (az adott igényeknek megfelelően) a toldó tartozékra (csőre). A kellően szoros illesztéshez a fejet enyhén elforgatva helyezze fel.
8. Dugja be a készülék hálózati csatlakozóját egy fali aljzatba. Ezzel a készülék használatra kész!

▲ FIGYELMEZTETÉS:

A tűz- és robbanásveszély kockázatának csökkentése érdekében ne használja a készüléket gyúlékony gázok, gőzök vagy a levegővel robbanásveszélyes elegyet alkotó porok szívására. Ilyen gyúlékony gázok vagy gőzök a teljesség igénye nélkül lehetnek az öngyújtó folyadék, oldószer-alapú tisztítószer, olaj-bázisú festékek, benzin, alkohol vagy aeroszol permetek. Robbanásveszélyes porok lehetnek a teljesség igénye nélkül: a szénpor, magnézium por, alumínium por, gabonafélék vagy puskapor. Tilos a készüléket robbanásveszélyes porok, gyúlékony vagy éghető folyadékok, illetve forró parázs felszívására használni! Ne használja a készüléket gyúlékony vagy éghető folyadékok szórására. A különböző gőzök vagy porok által okozott egészségkárosodás kockázatának csökkentése érdekében ne használja a készüléket toxikus anyagok felszívására.

FONTOS BIZTONSÁGI ÓVINTÉZKEDÉSEK

Ez a szimbólum a terméken vagy annak csomagolásán azt jelenti, hogy a készülék élettartamának a végén azt tilos háztartási hulladékként kezelni. A hulladékká vált készüléket adja le egy, az elektromos és elektronikus tartozékok újrahasznosításával foglalkozó gyűjtőpontra. A termék megfelelő hulladékkezelésével Ön is hozzájárulhat a negatív környezeti és egészségkárosító hatások megelőzéséhez, amelyet a készülék okozna, ha azt általános hulladékként kezelné. Az újrahasznosítással kapcsolatban érdeklődjön a helyi hatóságoknál vagy hulladékgyűjtő vállalatnál, illetve az adott üzletben, ahol a terméket/termékeket megvásárolta.

KÖRNYEZETVÉDELEM

A különböző alapanyagokat elkülönítve gyűjtse. Az olyan termékeket vagy elhasznált elemeket, amelyek megtalálható ez a szimbólum, tilos általános háztartási hulladékként kezelni. A termékek és az elemek olyan anyagokat tartalmaznak, amelyek visszanyerhetők és újrahasznosíthatók, ez által csökken a nyersanyag igény. Az elektromos készülékek és elemek újrahasznosítása során mindenkor a helyi törvényeknek megfelelően járjon el. További információért látogassa meg a következő Weboldalt: www.2helpU.com.

ISMERTETÉS (“A” jelű ábra)

▲ FIGYELMEZTETÉS: Tilos a gépi berendezések és részeinek bármilyen módosítása! A módosítások személyi sérülést vagy anyagi károkat okozhatnak.

- 1 Felső fogantyú / kábel összefogó
- 2 Tápkábel
- 3 Be/Ki kapcsoló
- 4 Motoregység
- 5 Tartály rögzítőfülei
- 6 Tartály
- 7 Szívótömlő
- 8 Görgők
- 9 Clean Connect™ szűrő
- 10 Tömlőbemenet
- 11 Tömlőszorító
- 12 Eldobható porzsák

A KÉSZÜLÉK ÖSSZESZERELÉSE ÉS BEÁLLÍTÁSA (“A”-tól “C” jelű ábrák)

▲ FIGYELMEZTETÉS: A sérülések elkerülése érdekében, a tartozékok felhelyezése vagy eltávolítása előtt, a készülék beállítása vagy a beállítás módosítása előtt minden esetben kapcsolja ki a készüléket és húzza ki a fali konnektorból. A készülék véletlen bekapcsolása akár személyi sérülést is okozhat.

▲ FIGYELMEZTETÉS: A készülék kezelése fejezetben a **NEDVES PORSZÍVÓZÁSI MUNKÁK** alatt megadott esetek kivételével, porszívózáshoz mindig használjon szűrőt 9. Finomszemcsés porok szívása során szüksége lehet egy eldobható porzsákra is, ami megkönnyíti a tartály kiürítését.

1. Helyezze a készülékbe az eldobható porzsákat 12 a “B” jelű ábra szerint.
MEGJEGYZÉS: Ügyeljen, hogy a művelet közben a porzsák ne hagyja elszakadni. A minél jobb légmentes lezárás - és ez által a hatékonyabb szívó hatás - érdekében úgy helyezze fel a zsákokat a tömlő bemenetre 10, hogy az ne tudjon elmozdulni.
2. Helyezze vissza a motoregységet 4 a tartályra és rögzítse a rögzítőfülekkel 5.
3. A tömlő végét 7 csatlakoztassa a tömlő bemenetre 10, majd rögzítse szorosan a tartálynál.

A KÉSZÜLÉK KEZELÉSE HASZNÁLATI UTASÍTÁS (A, D, E ábra)

▲ FIGYELMEZTETÉS: Mindig kövesse a biztonsági utasításokat és a vonatkozó előírásokat.

1. Dugja be a készülék hálózati csatlakozóját egy fali aljzatba.
2. Állítsa a Be/Ki kapcsolót 3 “ON” (Be) állásba (1).
3. A DEWALT építési tömelék elszívó rendelkezik a DEWALT csatlakoztató rendszerrel is. Ennek segítségével a tömlő 7 és az adott szerszám gyorsan és biztosan csatlakoztatható. A csatlakozó 13 egy adapterrel csatlakozik közvetlenül a DEWALT-kompatibilis szerszámhoz (külön megvásárolható a helyi DEWALT értékesítőnél). Az adapterek összeállításához lásd az “E” jelű ábrát.

MEGJEGYZÉS: Adapter használata esetén, mielőtt továbblépne az alábbi lépésekre, ellenőrizze, hogy az adapter szorosan illeszkedik-e a szerszám kimenetére.

HASZNÁLATI UTASÍTÁS GÖRGŐK FELHELYEZÉSE ("A" és "F" jelű ábrák)

1. A tartályt fordítsa a talpával felfelé, majd szerelje fel és csavarokkal rögzítse a görgőket a tartály aljára.
2. Állítsa vissza a tartályt normál helyzetbe.

ELDOBHATÓ PORZSÁK ELTÁVOLÍTÁSA ÉS CSERÉJE ("A" jelű ábra)

▲ FIGYELMEZTETÉS: A porzsák kezelése közben ajánlott a feladathoz megfelelő egyéni védőfelszerelés, például porvédő maszk vagy kesztyű használata.

1. Kapcsolja ki a porszívót és a tápkábelt húzza ki a konnektorból.
2. Nyissa ki a tartály rögzítőfüleit **5** és vegye le a motoregységet **4** a tartályról.
3. Az eldobható porzsákok **12** óvatosan húzza le a tömlő bemenetről **10**.
4. Jól zárja le az eldobható porzsák **12** nyílását, mielőtt azt kiveszi a gépből.
5. Az eldobható porzsákok **12** a vonatkozó törvényi előírásoknak megfelelő gyűjtő konténerbe kell helyezni.

NEDVES PORSZÍVÓZÁSI MUNKÁK ("A" és "G" jelű ábrák)

▲ FIGYELMEZTETÉS: Azonnal kapcsolja ki a készüléket, ha abból habos anyag vagy folyadék szívárog.

▲ FIGYELMEZTETÉS: L osztályba tartozó porok esetén ne használja ezt a készüléket ebben az összeállításban.

Amikor megtelik a tartály, akkor a golyós úszó **14** elzárja a motor levegőáramát, amitől észrevehetően megváltozik a motor hangja. Ha a motornak élesre változik a hangja és a levegő/víz áramlása leáll, üritse ki a tartályt.

1. Kapcsolja ki a porszívót és a tápkábelt húzza ki a konnektorból.
2. Nyissa ki a tartály rögzítőfüleit **5** és vegye le a motoregységet **4** a tartályról.
3. A tartály **6** tartalmát üritse ki egy megfelelő konténerbe vagy lefolyóba.

▲ VIGYÁZAT! Rendszeresen tisztítsa le és ellenőrizze a vízszint-figyelő készüléket, hogy nem sérült-e. Lásd a "G" jelű ábrát.

FIGYELEM: A golyós úszót **14** TILOS eltávolítani a készülékből, mert azzal a porszívó károsodhat. A golyós úszó védi a motort a víz bejutása ellen.

Mielőtt a porszívót nedves anyag felszívására használja:

- Ellenőrizze, hogy a tartály ki lett-e üritve és nem túl poros-e.
- Vegye ki a készülékből a szűrőt **9**.

VISSZAÁLLÍTÁS SZÁRAZ PORSZÍVÁSRA

A KÉSZÜLÉK KEZELÉSE ("A" jelű ábra)

1. Üritse ki a tartályt a **TARTÁLY KIÜRÍTÉSE** alatt megadott utasításoknak megfelelően.
2. A tartályt fordítsa fejtetőre, amíg teljesen ki nem szárad. Száraz anyag szívására **NE HASZNÁLJA** a tartályt nedvesen.
3. Helyezze a motoregységet **4** egy egyenletes felületre és hagyja megszáradni.
4. Ha a motoregység teljesen megszáradt, helyezze vissza a szűrőket. Lásd a **SZŰRŐK BEHELYEZÉSE** című részt.
5. Ha a tartály is megszáradt, helyezze rá vissza a motoregységet **4** és rögzítse a rögzítőfülekkel **5**.

LEÁLLÍTÁS/SZÁLLÍTÁS ("A" jelű ábra)

1. Állítsa a Be/Ki kapcsolót **3** "OFF" (Ki) állásba.
2. Húzza ki a készüléket a fali konnektorból.
3. A tápkábelt **2** tekerje fel a felső fogantyú / kábel összefogóra **1**, az ábrán látható módon.
4. Gépjárműben történő szállítás esetén mindig rögzítse le a készüléket az elmozdulás ellen.

KARBANTARTÁS

A DEWALT készülék hosszú élettartamra lett tervezve, és csupán minimális karbantartást igényel. Azonban a készülék folyamatos és megfelelő működése függ a készülék karbantartásától és rendszeres tisztításától is.

▲ FIGYELMEZTETÉS: A sérülések elkerülése érdekében, a tartozékok felhelyezése vagy eltávolítása előtt, a készülék beállítása vagy a beállítás módosítása előtt minden esetben kapcsolja ki a készüléket és húzza ki a fali konnektorból. A készülék véletlen bekapcsolása akár személyi sérülést is okozhat.

▲ FIGYELMEZTETÉS: A felhasználó által elvégezhető javításokhoz a készüléket először szét kell szerelni, meg kell tisztítani, majd az ésszerűen kivitelezhető javításokat úgy kell elvégezni, hogy azzal nem veszélyezteti a karbantartó személyzetet és másokat. A megfelelő óvintézkedések közé tartozik a szennyeződések eltávolítása a készülékről még a szétszerelés előtt, a szétszerelés helyén képzített elszívó szellőztetés biztosítása, a karbantartási terület takarítása és a megfelelő egyéni védőfelszerelések használata.

• A gyártó vagy egy megbízott személy köteles legalább évente egyszer elvégezni a készülék műszaki felülvizsgálatát, amely például a szűrők sérülésmentes állapotának, a légzárás és a vezérlő mechanika megfelelő működésének ellenőrzésére terjed ki.

H

- Karbantartási vagy javítási műveletek során minden olyan szennyezett tartozékot, amelyet nem lehetett kellő mértékben megtisztítani, újra kell cserélni. A szennyezett tartozékot vízzáró tasakokba kell helyezni az ilyen jellegű hulladékok kezelésére vonatkozó mindenkor helyi előírásoknak megfelelően.
- Porelszívóként használható készülékek esetén megfelelő mértékű légcserét kell biztosítani a helyiségben, ha az elszívott levegő a helyiségbe kerül vissza.

MEGJEGYZÉS: Szükség esetén tájékozódjon a helyi előírásokban.

SZŰRŐ ("A", "H" és "I" jelű ábrák)

A SZŰRŐK GONDOZÁSA

A porszívó szűrői hosszú élettartamra lettek kialakítva. A levegőbe visszajutó por mértékének hatékony csökkentéséhez fontos, hogy a szűrők megfelelően legyenek behelyezve a készülékbe és megfelelő legyen az állapotuk is.

▲ FIGYELMEZTETÉS: A szűrők kezelése közben ajánlott a feladathoz megfelelő egyéni védőfelszerelés, például porvédő maszk vagy kesztyű használata.

A SZŰRŐK ELTÁVOLÍTÁSA

1. Fordítsa a Be/Ki kapcsolót **3** "OFF" (Ki) állásba (O) és húzza ki a tápkábelt a konnektorból.
2. Nyissa ki a tartály rögzítőfüleit **5** és vegye le a motoregységet **4** a tartályról. Helyezze a motoregységet **4** egy egyenletes felületre és hagyja megszáradni.
3. A szűrőket **9** a műanyag végzárónál fogva, egyesével fordítsa el az óra járásával ellentétes irányba, majd óvatosan emelje le a motoregységről. A művelet közben ügyeljen, hogy a törmelék ne hulljon bele a rögzítésre szolgáló furatba.
4. A motoregység alsó oldalának tisztítására használjon vízzel és enyhe szappannal megnedvesített rongyot, majd hagyja megszáradni. A tisztításra használt rongyot megfelelő hulladékártóba helyezze.
5. Ellenőrizze a szűrők kopását, a szakadásokat és egyéb sérüléseket.

MEGJEGYZÉS: Ha nem biztos a szűrő megfelelő állapotában, akkor az adott szűrőt KI KELL CSERÉLNI. A sérült szűrőket TILOS tovább használni.

▲ FIGYELMEZTETÉS: A szűrők tisztítására tilos sűrített levegőt vagy kefét használni, mert azok kárt tehetnek a szűrő membránjában, melynek következtében a szűrőn átjutnak a porszemcsék. Szükség esetén finoman ütögesse a szűrőt egy kemény felülethez, majd szobahőmérsékletű vízzel öblítse le és hagyja megszáradni. A szűrőket jellemzően nem szükséges tisztítani, még akkor sem, ha porréteg alakult ki rajtuk. Az automatikus szűrőtisztító rendszer fenntartja a szűrő maximális teljesítményét és folyamatosan működését. Ha a szűrő membránján szemmel is látható sérülés van, cserélje

a szűrőt. Egy-egy szűrő jellemzően hattól, tizenkét hónapig használható, a használat gyakoriságától és a készülék karbantartásától függően.

A SZŰRŐK BEHELYEZÉSE

1. Ellenőrizze, hogy a szűrő tömítése **15** biztosan a helyén van-e.
 2. Igazítsa a szűrő meneteit **16** a motoregység meneteihez, majd közepes erővel fordítsa el a szűrőt az óra járásával megegyező irányba, amíg szorosan nem rögzül.
- MEGJEGYZÉS:** Ügyeljen, hogy a művelet közben ne sérüljön a szűrő anyaga.
3. Helyezze vissza a motoregységet **4** a tartályra és rögzítse a rögzítőfülekkel **5**.

TARTÁLY KIÜRÍTÉSE ("J" jelű ábra)

▲ FIGYELMEZTETÉS: A készülék véletlen bekapcsolása miatt bekövetkező sérülések elkerülése érdekében, a tartály kiürítése előtt húzza ki a készüléket a fali aljzatból.

1. A porszívó két oldalán található rögzítőkapcsokat kifelé húzva távolítsa el a nedves-száraz porszívó szívófej szerelvényét. Emelje le a szívófej szerelvényét a helyéről.
2. A tartály tartalmát ürítse egy megfelelő hulladékgyűjtő konténerbe.

PORFÚVÁS FUNKCIÓ

▲ FIGYELMEZTETÉS: A közelben tartózkodó személyek biztonsága érdekében ne irányítsa feléjük a fúvott törmeléket.

▲ VIGYÁZAT! Ha a porfúvás során belélegezhető por képződik, akkor viseljen porvédő maszkot.

▲ VIGYÁZATI! A halláskárosodás megelőzése érdekében viseljen fülvédőt, ha a porszívót/porfúvót folyamatosan, hosszú ideig vagy ha zajos helyen használja.

SZERSZÁMOK CSATLAKOZTATÁSA

("K" és "L" jelű ábrák)

1. Ellenőrizze, hogy a főkapcsoló **3** "OFF" (Ki) állásban van-e, és készülék tápkábele ki lett-e húzva a fali aljzatból.
2. A következő lépésben két lehetőség választható: Csatlakoztassa a készülék tápkábelét a fali aljzatba és a főkapcsolót **3** állítsa "ON" (Be) állásba (I). Ilyenkor a porszívó kapcsol be. Csatlakoztassa a készülék tápkábelét a fali aljzatba és a főkapcsolót **3** állítsa "ON" (Be) állásba (I I): így a csatlakoztatott szerszámgép kapcsol be.

▲ FIGYELMEZTETÉS: A porszívó kimeneti csatlakozóját kizárólag külső szerszámgép csatlakoztatására használja. A porszívó a csatlakoztatott szerszámgépről automatikusan kapcsolható be és ki.

A csatlakoztatott szerszámgép terhelése nem haladhatja meg a porszívó kimeneti csatlakozójának maximálisan megengedett terhelését (PA).

H

A porszívó kimenetére csatlakoztatott szerszám gép használati utasításait és az arra vonatkozó biztonsági figyelmeztetéseket is vegye figyelembe. **AJÁNLÁS:** A porszívót minden esetben egy legfeljebb 200 mA-es vagy kisebb maradékáram elleni védőberendezéssel használja. Mielőtt a szerszám gépet csatlakoztatja a porszívóra, ellenőrizze, hogy a szerszám gép főkapcsolója "OFF" (Ki) állásban van-e. A porszívó kimenetére csatlakoztatott szerszám gép kikapcsolása után a porszívó még további kb. 15 másodpercig üzemel, majd automatikusan kikapcsol.

VILLAMOS BIZTONSÁG

- 1. A szerszám gép csatlakozó dugójának illeszkednie kell a kimenetbe. Tilos a csatlakozó dugó bármilyen módosítása! Földelt (testelt) szerszám gépekkel soha ne használjon csatlakozó adaptereket.** A nem módosított csatlakozó dugó és kompatibilis kimenet használatával csökken az áramütés veszélye.
- 2. Kerülje a földelt vagy testelt felületek érintését. Ilyenek lehetnek a csövezetékek, radiátorok, készülékek és hűtők.** Ha saját testét földeli (testeli), úgy nagyobb az áramütés veszélye.
- 3. Óvja a szerszám gépet a csapadéktól és nedves környezettől.** A szerszám gépbe bejutó víz növeli az áramütés veszélyét.
- 4. A tápkábelt ne használja gondatlanul. Ne használja a tápkábelt a szerszám gép hordozására, húzására vagy a csatlakozó dugó kihúzására a fal aljzatból.** A tápkábelt mindig tartsa távol a hőforrásoktól, olajtól, éles szegélyektől és mozgó alkatrészekről. Sérült vagy összekuszálódott tápkábel használata növeli az áramütés veszélyét.
- 5. Ha a szerszám gépet a szabadban használja, akkor kültéri használatra alkalmas hosszabbító vezeték vagy kábeldobot használjon.** Kültéri használatra alkalmas hosszabbító vezeték használatával csökken az áramütés veszélye.
- 6. Ha a szerszám gépet nedves helyen kénytelen használni, akkor maradékáram ellen védett csatlakozó aljzatot használjon.** Maradékáram elleni védőberendezés használatával csökken az áramütés veszélye.
- 7. A villanymotor egy bizonyos feszültségre lett tervezve. Mindig ellenőrizze, hogy a szerszám adattábláján megadott feszültség megfelel-e az áramforrás feszültségének. Ha a tápkábel sérült, akkor azt csak a DEWALT vagy a DEWALT hivatalos szerviz szolgálata cserélheti ki.**

CSATLAKOZÓDUGÓ CSERÉJE (CSAK EGYESÜLT KIRÁLYSÁG ÉS ÍRORSZÁG)

Ha a hálózati csatlakozódugót cserélni kell:

- Gondoskodjon megfelelően a régi csatlakozódugó ártalmatlanításáról.
- A barna huzalt csatlakoztassa az új csatlakozódugó élővezeték csatlakozójába.
- A kék huzalt csatlakoztassa a nulla vezeték csatlakozójába.
- A sárga/zöld huzalt csatlakoztassa a földvezeték csatlakozójába.

Kövesse a minőségi csatlakozódugó használati utasítását. Ajánlott biztosíték: 13 A.

▲ FIGYELMEZTETÉS: Világítási csatlakozót tilos használni. Az élő (L) vagy nulla (N) vezetőket tilos az "E" jelű földelő csatlakozóra kötni.

HOSSZABBÍTÓ VEZETÉK HASZNÁLATA

Ha hosszabbító vezeték használatát, akkor az adott szerszám gép teljesítményfelvételének megfelelő méretű, 3 eres típust válasszon. A vezető minimális keresztmetszete 1,5 mm²; maximális hossza 30 m. Amennyiben kábeldobon lévő hosszabbító kábelt használ, úgy azt a munka megkezdése előtt mindig teljesen tekerje le.

FÚJÁS FUNKCIÓ ("C" jelű ábra)

▲ FIGYELMEZTETÉS: A közelben tartózkodó személyek biztonsága érdekében ne irányítsa feléjük a fúvott törmelékot.

A porszívó porfúvó funkcióval is rendelkezik. A készülék a fűrészpont és más törmelékot a porfúvás funkcióval képes eltávolítani. Ez alkalmazható a por vagy törmelék kifúvására például egy garázsból, teraszról vagy autóbeállóról. A készülék porfúvás funkciójának használatához kövesse az alábbi lépéseket.

1. Keresse meg a készüléken a fúvó kimenetet.
2. Helyezze a szívótömlő egyik végét a fúvó kimenetbe.
3. Kapcsolja a készüléket "ON" (Be) állásba.

TÁROLÁS (A ábra)

1. Ürítse ki a tartályt a **TARTÁLY KIÜRÍTÉSE** alatt megadott utasításoknak megfelelően.
2. A porszívót kívül és belül is tisztítsa meg. Lásd a **TISZTÍTÁS** című részben.
3. Tisztítsa meg vagy cserélje ki a szűrőket. Lásd a **SZŪRŐK** című részben.
4. A szívótömlőt és a tápkábelt rendezze el az "A" jelű ábrán látható módon. Helyezze a készüléket egy száraz helyiségbe, ahol illetéktelen személyek nem férhetnek hozzá.

VÁLASZTHATÓ KIEGÉSZÍTŐK

▲ FIGYELMEZTETÉS: A DEWALT, által ajánlottaktól eltérő tartozékokat nem teszteltük a termékkel, ezek használata veszélyes lehet. A sérülésveszély csökkentése érdekében csak a DEWALT által ajánlott tartozékokat használjon a termékhez.

TISZTÍTÁS

A száraz-nedves porszívó megfelelő külső állapotának megőrzése érdekében, egy meleg vízzel és enyhe szappannal átnedvesített ronggyal rendszeresen tisztítsa le a készülék külső felületeit. A tartály tisztítása:

1. Törmelék kiürítése.
2. Alaposan mossa ki a tartályt meleg vízzel és enyhe szappannal.
3. Száraz ronggyal törölje át.

HIBAEZHÁRÍTÁS

▲ FIGYELMEZTETÉS: A MOZGÓ ALKATRÉSZEK ÁLTAL OKOZOTT SÉRÜLÉSEK VAGY AZ ÁRAMÚTÉS VESZÉLYÉNEK CSÖKKENTÉSE ÉRDEKÉBEN A HIBAEZHÁRÍTÁSI VIZSGÁLATOK MEGKEZDÉSE ELŐTT KAPCSOLJA KI A KÉSZÜLÉKET ÉS A TÁPKÁBELT HÚZZA KI A FALI ALJZATBÓL.

A kisebb problémák általában önállóan, az ügyfélszolgálat felkeresése nélkül is helyreállíthatók.

PROBLÉMA	MEGOLDÁS
A motor nem indul.	Ellenőrizze a tápkábelt, csatlakozó dugókat és a fali aljzatot.
	Ellenőrizze, hogy a főkapcsoló "ON" (Be) állásban (I) van-e.
A szívóteljesítmény csökken.	Távolítsa el a fejből, a toldó szárákból, a szívótömlőből vagy a szűrőből a szabad légáramlást akadályozó idegen tárgyakat.
	Cserélje az eldobható porzsákat.
	Ellenőrizze a szűrő megfelelő behelyezését.
	Tisztítsa meg vagy cserélje ki a szűrőt.
A porszívó használat közben leáll.	Ürítse ki a tartályt. Lásd "TARTÁLY KIÜRÍTÉSE" alatt az "A készülék használata" című fejezetben.
	Szétkapcsolt a túlmelegedés elleni védőkapcsoló: 1. Kapcsolja ki a porszívót és húzza ki a fali konnektorból. 2. Szükség esetén ürítse ki a tartályt. 3. Várjon, amíg a készülék visszahűl szobahőmérsékletre. 4. A készülék ellenőrzéséhez csatlakoztassa a tápkábelt egy megfelelő fali aljzatba és állítsa a főkapcsolót "ON" (Be) állásba.
Porszívózás közben por távozik a készülékből.	Ellenőrizze, hogy jól lett-e behelyezve a szűrő.
	Ellenőrizze, hogy a szűrők nem sérültek-e; cserélje a szűrőt, ha szükséges.
	Ellenőrizze, hogy minden tömítés a helyén legyen és ne tudjon elmozdulni.
	Ellenőrizze a motoregységet.

▲ FIGYELMEZTETÉS:

Ha a készülék tápkábele megsérül, akkor a további veszélyek elkerülése érdekében azt csak a gyártó, a gyártó szerviz képviselője vagy hasonló szakképzett személy cserélheti.

▲ FIGYELMEZTETÉS:

A termék nem használható fel kórokozók, például COVID-19 betegséget okozó vírus kiszűrésére. Tartson be minden, az általános tisztítási eljárásokra vonatkozó helyi, állami vagy szövetségi útmutatásokat.

SZERSZÁMRA VONATKOZÓ GARANCIA



A DEWALT megbizik saját termékei minőségében, ezért a termék professzionális/ipari felhasználói számára kiemelt garanciát kínál. A garancia nem módosítja az Ön szerződéses jogait, mint professzionális felhasználó, illetve a törvényes jogait, mint magánszemély, nem professzionális felhasználó, hanem kiegészíti azokat. A garancia az Európai Unió és az Európai Gazdasági Térség tagállamainak területén érvényes.

A DEWALT irodáiban, az értékesítőknél vagy a www.2helpU.com weboldalon az Ön számára is elérhető DEWALT Európai PT garanciafeltételek értelmében, ha az Ön DEWALT terméke anyaghiba vagy kivitelezési hiba következtében a vásárlás dátumától számított 36 hónapon belül meghibásodik, úgy a DEWALT saját belátása szerint, térítésmentesen biztosítja minden meghibásodott alkatrész vagy a teljes egység cseréjét.

A DEWALT fenntartja a jogát a garanciaigények elutasítására, amennyiben az a felhatalmazott szervizszolgálat véleménye alapján az nem felel meg az említett DEWALT európai garanciafeltételeknek. Ha garanciaigényt kíván benyújtani, vegye fel a kapcsolatot az értékesítővel vagy keresse fel az Önhöz legközelebbi DEWALT szervizszolgálatot az Interneten vagy a DEWALT katalógusból, vagy keresse fel a DEWALT irodát a használati útmutatóban megadott címen.

A DEWALT által felhatalmazott szervizszolgálatok listáját és az ügyfélszolgálatunk teljes leírását megtalálja a következő weboldalon: www.2helpU.com

DEWALT EURÓPAI SZERSZÁMGÉPEKRE (PT) VONATKOZÓ 3 ÉVES GARANCIA

Az Ön termékére nyújtott DEWALT európai PT garancia a vásárlás dátumától számított 3 évig érvényes az alábbi feltételek szerint.

1. Általános feltételek

- 1.1. A DEWALT európai PT 3 éves garancia a DEWALT termék eredeti felhasználójára érvényes, aki a DEWALT hivatalos európai forgalmazójától vásárolta a termékeket saját kereskedésében vagy hivatásában való használatra. A DEWALT európai PT garancia nem érvényes azokra a személyekre, akik a DEWALT terméket továbbértékesítés vagy bérbeadás céljából vásárolják meg.
- 1.2. Ez a garancia nem ruházható át másokra. A garancia kizárólag a DEWALT termék eredeti felhasználójára érvényes, aki a terméket megvásárolta, a fentiek szerint.
- 1.3. A jelen dokumentumban ismertetett feltételeken felül a DEWALT európai garanciafeltételei is érvényesek.
- 1.4. A garancia alapján történő javítás vagy csere nem hosszabbítja vagy újítja meg a garancia időtartamát. A hároméves garancia időtartam az eredeti vásárlás dátumától számítva kezdődik, és azt követően 36 hónappal később szűnik meg.
- 1.5. Ez a termék nem tartozik a 2016.01.01-én visszavont DEWALT 30-1-1 irányelv hatálya alá.
2. A DEWALT európai PT 3 éves garanciából kizárt termékek. A DEWALT európai PT 3 éves garancia 3. szakaszában megadott termékeken felül az alábbi DEWALT márkánévvvel ellátott termékek sem tartoznak a garancia hatálya alá:
 - Rögzítésre szolgáló szerszámok, például szögbelvő, gépi ütőszerszámok.
 - Akkumulátorok és akkumulátortöltők.
 - Helyreállított vagy felújított termékek, amelyek a "Factory rework" (Gyári felújítás) és/vagy "Q" kiegészítő jelzéssel lettek ellátva.
 - Kompresszorok és generátorok.
3. Garanciaigény benyújtása
 - 3.1. Garanciaigény benyújtásához, vegye fel a kapcsolatot az értékesítővel vagy keresse ki az Önhöz legközelebbi DEWALT szervizszolgálatot a www.2helpU.com weboldalon.
 - 3.2. A DEWALT szerszámot juttassa vissza az értékesítő vagy a felhatalmazott DEWALT szervizszolgálat címére minden alkatrészszel és az eredeti vásárlást igazoló bizonylattal együtt.
 - 3.3. A DEWALT fenntartja a jogát a garanciaigények elutasítására, amennyiben az a felhatalmazott szervizszolgálat véleménye alapján nem tekinthető anyaghiba vagy kivitelezési hiba miatt bekövetkező meghibásodásnak az említett DEWALT európai PT garanciafeltételek szerint.
4. Garanciafeltételek módosítása
 - 4.1. A DEWALT fenntartja a jogát a garanciális feltételek, időtartamok és a garancia alá tartozó termékek előzetes bejelentés nélküli módosítására a DEWALT saját belátása szerint.
 - 4.2. A mindenkor hatályos DEWALT európai PT garanciafeltételek elérhetők a www.2helpU.com weboldalon, a helyi DEWALT értékesítőnél vagy DEWALT irodában.

ŠPECIFIKÁCIE PRODUKTU

Model	DXV20PTA
Napájanie	220-240 V / 50/60 Hz / 1050 W
Negatívny tlak	15 kPa
Prietok vzduchu	37,8 l/mp
Objem nádrže	20 l
Hadica	48 mm x 2,1 m
Napájací kábel	H07RN-F,3G x 1.5mm ² / 3.05m

OBSAH BALENIA

Balenie obsahuje:

- 1 48 mm x 2,1 m hadica (DXVA19-2558)
 - 2 Predlžovacie trubice (DXVA19-1202)
 - 1 Okružla kefová hlavica (DXVA19-2400)
 - 1 Všeobecná hlavica (DXVA19-1300)
 - 1 Podlahová hlavica (DXVA19-1900D)
 - 1 Jednorazové vrečko na prach (DXVA19-4204)
 - 1 Filter Clean Connect™ (DXVC4001)
 - 1 Štrbinová hlavica (DXVA19-1400)
 - 1 Návod na použitie
 - 1 Sieťové vrečko na uloženie príslušenstva (DXVA19-5158)
 - 1 Sada skrutiek
 - 4 Kolieska
- Skontrolujte stav náradia, dielov alebo príslušenstva, aby ste sa uistili, že sa počas prepravy nepoškodili.
 - Pred začatím používania zariadenia si pozorne prečítajte návod na použitie.

DEFINÍCIE: BEZPEČNOSTNÉ POKYNY

Nižšie uvedené definície opisujú stupeň závažnosti každého označenia. Prečítajte si prosím pozorne návod na použitie a venujte pozornosť týmto symbolom.

▲ NEBEZPEČENSTVO: Označuje bezprostredne nebezpečnú situáciu, ktorá môže viesť k smrteľnému alebo vážnemu zraneniu.

▲ UPOZORNENIE: Označuje potenciálne nebezpečnú situáciu, ktorá môže viesť k smrteľnému alebo vážnemu zraneniu.

▲ POZOR! Označuje potenciálne nebezpečnú situáciu, ktorá môže viesť k ľahkému alebo stredne vážnemu zraneniu.

POZNÁMKA: Označuje postup nesúvisiaci so spôsobením zranení, ale môže viesť k poškodeniu majetku.

DÔLEŽITÉ BEZPEČNOSTNÉ POKYNY

▲ UPOZORNENIE: Prečítajte si všetky bezpečnostné upozornenia a pokyny pri používaní elektrických spotrebičov. Nedodržanie bezpečnostných upozornení a pokynov môže mať za následok zásah elektrickým prúdom, požiar a/alebo vážne zranenie:

PRED POUŽITÍM ZARIADENIA SI PREČÍTAJTE TIETO POKYNY A RIADNE ICH DODRŽUJTE.

- ▲ UPOZORNENIE:** Aby ste predišli úrazu elektrickým prúdom, buďte pri používaní zariadenia vždy opatrní. Chráňte zariadenie pred dažďom a zrážkami. Zariadenie skladujte vo vnútri.
- Nenechávajte zariadenie bez dozoru, keď je pripojené k elektrickej sieti. Keď už zariadenie nepoužívate a pred opravou zariadenia, odpojte napájací kábel zo zásuvky.
 - Nedovoľte deťom hrať sa so zariadením. Venujte zvýšenú pozornosť pri používaní zariadenia v blízkosti detí.
 - Prístroj používajte LEN spôsobom a na účely uvedené v návode na použitie. Používajte iba predlžovacie prvky odporúčané spoločnosťou DEWALT.
 - Ak je napájací kábel poškodený, zariadenie nepoužívajte! Ak zariadenie nefunguje správne alebo ak spadlo, bolo poškodené, ponechané vonku alebo spadlo do vody, odnesť ho do servisného strediska.
 - Zariadenie neťahajte ani nedvíhajte za napájací kábel, nepoužívajte napájací kábel ako rukoväť, nezatvárajte na ňom dvere ani ho neťahajte okolo ostrých hrán a rohov. Neprechádzajte s týmto zariadením cez jeho vlastný napájací kábel. Udržujte napájací kábel mimo povrchov vyžarujúcich teplo.
 - Neodpájajte zástrčku kábla od zásuvky ťahaním za tento kábel. Ak chcete napájací kábel odpojiť od zásuvky, vždy ho uchopte za zástrčku, nie za kábel.
 - Nedotýkajte sa zástrčky ani zariadenia mokrými rukami.
 - Nevkladajte do otvorov tohto zariadenia žiadne predmety. Je zakázané používať zariadenie so zablokovanými vetracími otvormi. Pravidelne čistite vetracie otvory od prachu, žmolkob alebo vlasov, ktoré obmedzujú prúdenie vzduchu.
 - Udržujte vlasy, voľný odev, prsty a iné časti tela v bezpečnej vzdialenosti od otvorov a pohyblivých častí zariadenia.
 - Pred odpojením zariadenia zo sieťovej zásuvky vypnite všetky ovládacie prvky.
 - Buďte veľmi opatrní najmä pri práci na schodoch.
 - Zariadenie nepoužívajte na vysávanie horľavých alebo zápalných kvapalín, ako je benzín, a nepoužívajte toto zariadenie na miestach, kde by a tieto látky mohli vyskytovať.
 - Pri práci v suchom prostredí s nízkou vlhkosťou vzduchu môže dôjsť k výbojom statickej elektriny. Toto je len dočasný jav a nemá vplyv na prevádzku vysávača. Ak chcete znížiť frekvenciu výbojov statickej elektriny, zvyšte vlhkosť vzduchu pomocou konzoly, inštaláciou zvlhčovacieho zariadenia. Na tento účel môžete použiť aj hadicu (ktorá je štandardným príslušenstvom niektorých modelov).
 - Po každom použití vyprázdňte zásobník, aby ste zabránili samovznieteniu.

▲ POZOR: Spotrebič nie je určený na používanie osobami, vrátane detí, so zníženými fyzickými, zmyslovými alebo mentálnymi schopnosťami, alebo s nedostatkom skúseností a vedomostí, pokiaľ im osoba zodpovedná za ich bezpečnosť neposkytuje dohľad

alebo ich nepoučí o používaní spotrebiča. Deti by mali byť pod dohľadom, aby sa so spotrebičom nehrali.

TENTO NÁVOD NA POUŽITIE USCHOVAJTE

ĎALŠIE BEZPEČNOSTNÉ PREDPISY

- Nevysávajú žiadne látky, ktoré sú žeravé alebo ktoré dymia, ako sú ohorky cigariet, zápalky alebo horúci popol.
- Nevysávajú horľavé a výbušné materiály, ako sú uhlie, obilie alebo iné jemne mleté horľavé materiály.
- Nepoužívajte vysávač na vysávanie nebezpečných, toxických alebo karcinogénnych materiálov, ako sú látky obsahujúce azbest alebo pesticidy.
- Nikdy nevysávajú explozívne kvapaliny (napríklad benzín, motorovú naftu, vykurovací olej, riediglá farieb, atď.), kyseliny alebo rozpúšťadlá.
- Nepoužívajte vysávač bez riadne nasadených filtrov, okrem prípadov, ktoré sú popísané v časti **MOKRÉ VYSÁVANIE**.
- Niektoré drevené materiály obsahujú konzervačné látky, ktoré môžu byť toxické. Pri práci s týmito materiálmi buďte veľmi opatrní, aby ste zabránili ich vdychovaniu alebo kontaktu pokožky s týmito látkami. Vyžadujte a dodržujte všetky bezpečnostné pokyny, ktoré Vám poskytnú Váš dodávateľ materiálov.
- Nestojte na vysávači.
- Nekladte na vysávač ťažké predmety.
- Ak používate predlžovací kábel, z bezpečnostných dôvodov zvolte 3-žilový typ s vhodnou veľkosťou pre spotrebu zariadenia.
- Ak používate predlžovací kábel vonku, musí byť označený.

▲ UPOZORNENIE:

Aby ste obmedzili vystavenie chemikálii, noste schválené osobné ochranné prostriedky, ako je protiprachová maska špeciálne navrhnutá na odfiltrovanie mikroskopických častíc.

NA KRYTE MOTORA:

▲ UPOZORNENIE:

- **ABY STE PREDÍŠLI ÚRAZU OSÔB, MUSÍTE SI POVINNÉ PREČÍTAŤ NÁVOD NA POUŽITIE! NENECHÁVAJTE VYSÁVAČ BEZ DOZORU V ZAPNUTOM STAVE. NEVYSÁVAJTE HORĽAVÉ, ŽERAVÉ ALEBO HORÚCE LÁTKY! NEPOUŽÍVAJTE V BLÍZKOSTI VÝBUŠNÉHO NEBEZPEČNÉHO PRACHU, TEKUTINY ALEBO VÝPAR! ELEKTRICKÉ ZARIADENIA MÔŽU SPÔSOBIŤ OBIJKOVÝ VÝBOJ ALEBO ELEKTRICKÚ ISKRU, KTORÁ MÔŽE SPÔSOBIŤ POŽIAR ALEBO VÝBUCH.**
- **JE ZAKÁZANÉ POUŽÍVAŤ ZARIADENIE NA ČERPACÍCH STANICIACH ALEBO V BLÍZKOSTI MIESTA, KDE SA ČERPÁVA A DODÁVA BENZÍN. NEVYSÁVAJTE TOXICKÉ ALEBO KARCINOGENNE A ŠKODLIVÉ LÁTKY, AKO NAPRIKĽAD AZBEST ALEBO PESTICIDY. VŽDY NOSTE VHODNÉ OCHRANNÉ PROSTRIEDKY NA OCHRANU OČÍ A OCHRANU DÝCHACIEHO SYSTÉMU!**
- **NEPOUŽÍVAJTE ZARIADENIE V DAŽĎI, ABY STE PREDÍŠLI ÚRAZU ELEKTRICKÝM PRÚDOM!**
- **UCHOVÁVAJTE ZARIADENIE V INTERIÉRI. PRI OPRAVE ZARIADENIA POUŽÍVAJTE VÝHRADNE**

ORIGINÁLNE NÁHRADNÉ DIELY! NEPOSTAVTE SA NA PRÍSTROJ!

USCHOVAJTE NÁVOD NA POUŽITIE

NÁVOD NA POUŽITIE

ROZBALENIE A MONTÁŽ

1. Vytiahnite upevňovacie príchytky nádrže smerom von. Odstráňte príslušenstvo z nádoby zariadenia, ako je napríklad sacia hlava.
2. Namontujte na zariadenie odolné pogumované kolieska s vysokou zatažiteľnosťou podľa pokynov v príručke.
3. Ak používate rôzne sacie hlavy, skontrolujte príručku, aby ste sa uistili, že používate správne filtre pre konkrétnu operáciu čistenia.
4. Palcami stlačte zámok na sacej hlavici a potom nasúvajte saciu hlavicu na trubicu, kým nezacvakne. Skontrolujte, či ste dobre zatvorili aj upevňovacie príchytky nádrže.
5. Pripojte koniec hadice k vstupu do nádrže.
6. Na hadicu umiestnite požadované spojovacie príslušenstvo. Aby sa zaistilo tesné uloženie príslušenstva, musí sa pri montáži vyvinúť dostatočný tlak.
7. Umiestnite jedno z čistiaceho príslušenstva (podľa špecifických potrieb) na predlžovacie príslušenstvo (trubku). Pre dostatočne pevné uchytenie nasadte hlavu mierne pootočenú.
8. Zapojte sieťovú zástrčku zariadenia do elektrickej zásuvky. Zariadenie je teraz pripravené na použitie!

▲ UPOZORNENIE:

Aby ste znížili riziko požiaru a výbuchu, nepoužívajte zariadenie na vysávanie horľavých plynov, pár alebo prachu, ktoré tvoria so vzduchom výbušnú zmes. Takéto horľavé plyny alebo výpary môžu byť kvapaliny do zapalovačov, čistiace prostriedky na báze rozpúšťadiel, farby na báze oleja, benzín, alkohol alebo aerosolové spreje. Výbušný prach môže byť okrem iného: uhoľný prach, horčíkový prach, hliníkový prach, obilniny alebo pušný prach. Je zakázané používať vysávač na vysávanie výbušného prachu, horľavých alebo horúcich kvapalín, alebo žeravých uhľíkov! Prístroj nepoužívajte na striekanie horľavých alebo horúcich kvapalín. Aby ste znížili riziko poškodenia zdravia rôznymi parami alebo prachmi, nepoužívajte prístroj na vysávanie toxických látok.

▲ UPOZORNENIE:

OPRAVA DVOJNÁSOBNE IZOLOVANÉHO SUCHÉHO-MOKRÉHO VYSÁVAČA

Dvojito izolované sucho-mokrú vysávače majú namiesto uzemnenia dva izolačné systémy. Zariadenia s dvojitou izoláciou nemajú ochranu uzemnenia a neodporúča sa dopĺňať zariadenie ochranou uzemnenia. Na opravu sucho-mokrého vysávača s dvojitou izoláciou je potrebná zvýšená pozornosť a dôkladná znalosť systému, preto ju môže vykonávať len odborník. Náhradné diely použité pre vysávač na sucho-mokro s dvojitou izoláciou musia byť vo všetkých ohľadoch identické s dielom, ktorý sa má vymeniť. Na sucho-mokrom vysávači s dvojitou izoláciou je nápis "DOUBLE-INSULATED" (DVOJITÁ IZOLÁCIA) a prípadne symbol (štvorec v štvorcí).

Aby ste predišli zraneniu elektrickým prúdom, pred opravou elektrických komponentov suchého-mokrého vysávača odpojte zariadenie zo sieťovej zásuvky.

▲ UPOZORNENIE:

Ak je poškodený napájací kábel zariadenia, môže ho vymeniť iba výrobca, servisný zástupca výrobcu alebo podobne kvalifikovaná osoba, aby ste predišli ďalším nebezpečenstvám.

▲ UPOZORNENIE:

Pred začatím údržby odpojte zariadenie zo sieťovej zásuvky. Pred začatím používania zariadenia, skontrolujte, či kvalita dostupného sieťového napätia zodpovedá hodnotám frekvencie a napätia uvedeným na typovom štítku zariadenia. Technické údaje sa môžu zmeniť bez predchádzajúceho upozornenia. Príslušenstvo zobrazené na obrázkoch sa môže líšiť v závislosti od typu zariadenia.

DÔLEŽITÉ BEZPEČNOSTNÉ OPATRENIA

Tento symbol na produkte alebo jeho obale znamená, že sa s ním po skončení životnosti nesmie zaobchádzať ako s domovým odpadom. Zariadenie, ktoré sa stalo odpadom, odovzdajte na zbernom mieste zaoberajúcom sa recykláciou elektroniky a elektronického príslušenstva. Správnu likvidáciu výrobku môžete prispieť k prevencii negatívnych vplyvov na životné prostredie a zdravie, ktoré by zariadenie spôsobilo, keby sa s ním zaobchádzalo ako s bežným odpadom. Informácie o recyklácii vám poskytnú miestne úrady alebo spoločnosť zaoberajúca sa zberom odpadu, prípadne predajňa, kde ste výrobok zakúpili.

OCHRANA ŽIVOTNÉHO PROSTREDIA



Zbierajte rôzne suroviny oddelene.

S výrobkami alebo použitými predmetmi s týmto symbolom sa nesmie zaobchádzať ako s bežným domovým odpadom. Produkty a prvky obsahujú materiály, ktoré je možné regenerovať a recyklovať, čím sa znižuje potreba surovín. Pri recyklácii elektrických spotrebičov a batérií vždy dodržiavajte miestne zákony. Pre viac informácií navštívte nasledujúcu webovú stránku: www.2helpU.com.

POPIS (obrázok "A")

▲ UPOZORNENIE: Nikdy nevykonávajte žiadne úpravy tohto zariadenia ani jeho súčastí. Mohlo by dôjsť k jeho poškodeniu alebo zraneniu.

- 1 Horná rukoväť / držiak kábla
- 2 Napájací kábel
- 3 Za- / Vypínač
- 4 Motor
- 5 Západka zásobníka
- 6 Zásobník
- 7 Nasávací hadica
- 8 Koleska
- 9 Clean Connect™ filter
- 10 Vstup na hadicu
- 11 Príchytky hadice
- 12 Jednorazové vrecko na prach

MONTÁŽ A NASTAVENIE ZARIADENIA (obrázky od "A" do "C")

▲ UPOZORNENIE: Aby ste predišli zraneniu, pred pripájaním alebo výberom príslušenstva, nastavovaním zariadenia alebo zmenou nastavenia, vždy vypnite zariadenie a odpojte ho zo zásuvky. Náhodné zapnutie zariadenia môže spôsobiť zranenie.

▲ UPOZORNENIE: Na vysávanie vždy používajte filter (9), okrem prípadov uvedených v časti MOKRÉ VYSÁVANIE.

Pri vysávaní jemného prachu možno budete potrebovať aj jednorazové vrecko na prach, ktoré uľahčí vyprázdnenie nádoby.

1. Jednorazové vrecko na prach (12) vložte do zariadenia podľa obrázku označeného „B“.
POZNÁMKA: Dávajte pozor, aby ste počas prevádzky neroztrhli vrecko na prach. Pre čo najlepšie vzduchotesné utesnenie - a tým efektívnejší sací efekt - umiestnite vrecko na prívod hadice (10), tak, aby sa nemohlo pohybovať.
2. Nasadte motorovú jednotku (4) späť na nádrž a zaistite ju upevňovacími úchytkami (5).
3. Pripojte koniec hadice (7) k prívodu hadice (10) a pevne ju pripevnite k nádrži.

OBSLUHA ZARIADENIA

NÁVOD NA POUŽITIE (obrázok A, D, E)

▲ UPOZORNENIE: Vždy dodržiavajte bezpečnostné pokyny a platné predpisy.

1. Zapojte sieťovú zástrčku zariadenia do elektrickej zásuvky.
2. Prepínač Za- / Vypnúť nastavte do polohy "ON" (I).
3. Vysávač stavebnej sutiny DEWALT má tiež spojovací systém DEWALT. Hadica (7) a daný nástroj sa tak dajú rýchlo a bezpečne spojiť. Prípojka (13) sa pripája priamo k nádrži kompatibilnému s DEWALT pomocou adaptéra (predáva sa samostatne u miestneho predajcu DEWALT). Pri montáži adaptérov pozri obrázok „E“.

POZNÁMKA: Ak používate adaptér, skôr než budete postupovať podľa krokov nižšie, uistite sa, že adaptér tesne zapadá do zásuvky nástroja.

NÁVOD NA POUŽITIE INŠTALÁCIA KOLIESOK (obrázky A a F)

1. Otočte nádobu hore dnom, potom nainštalujte a pripevnite kolieska k spodnej časti nádoby pomocou skrutiek.
2. Vráťte nádrž do jej normálnej polohy.

ODSTRAŇOVANIE A VÝMENA JEDNORÁZOVÉHO VRECKA (obrázok "A")

▲ UPOZORNENIE: Pri manipulácii s vreckom na prach sa odporúča používať osobné ochranné prostriedky vhodné pre danú úlohu, ako je maska proti prachu alebo rukavice.

1. Vypnite vysávač a vytiahnite napájací kábel zo zásuvky.
2. Otvorte upevňovacie úchytky nádrže 5 a vyberte motorovú jednotku 4 z nádrže.
3. Opatrne vytiahnite jednorazové vrecko na prach 12 cez vstup hadice 10.
4. Pred vybratím jednorazového vrecka na prach 12 zo stroja dobre zatvorte otvor.
5. Jednorazové vrecko na prach 12 je potrebné umiestniť do zbernej nádoby, ktorá vyhovuje príslušným právnym predpisom.

MOKRÉ VYSÁVANIE (obrázky A a G)

▲ UPOZORNENIE: Ak z neho uniká penový materiál alebo kvapalina, zariadenie okamžite vypnite.

▲ UPOZORNENIE: V prípade prachu triedy L nepoužívajte toto zariadenie v tejto zostave.

Keď je nádrž plná, guľôčkový plavák 14 blokuje prúdenie vzduchu do motora, čo spôsobuje znateľné zmeny zvuku motora. Ak motor vydáva ostrý zvuk a prietok vzduchu/vody sa zastaví, vypustíte nádrž.

1. Vypnite vysávač a vytiahnite napájací kábel zo zásuvky.
2. Otvorte upevňovacie úchytky nádrže 5 a vyberte motorovú jednotku 4 z nádrže.
3. Vyprázdňte obsah nádoby 6 do vhodnej nádoby alebo odtoku.

▲ POZOR! Zariadenie na monitorovanie hladiny vody pravidelne čistite a kontrolujte, či nie je poškodené. Pozri obrázok "G".

UPOZORNENIE: Je ZAKÁZANÉ odstraňovať guľový plavák 14 zo zariadenia, pretože by mohlo dôjsť k poškodeniu vysávača. Guľôčkový plavák chráni motor pred vniknutím vody.

Pred použitím vysávača na vysávanie vlhkého materiálu:

- Skontrolujte, či je nádoba vyprázdnená a či nie je príliš zaprášená.
- Vyberte filter 9 z prístroja.

OBNOVENIE FUNKCIE SUCHÉHO VYSÁVANIA POUŽÍVANIE PRÍSTROJA (obrázok "A")

1. Vyprázdňte nádrž podľa pokynov uvedených v časti **VYPRÁZDNENIE NÁDRŽE**.
2. Otočte nádobu hore dnom, kým nebude úplne suchá. **NEPOUŽÍVAJTE** nádobu mokrú na vysávanie suchého materiálu.
3. Položte motorovú jednotku 4 na rovný povrch a nechajte vyschnúť.
4. Keď je motorová jednotka úplne suchá, vymeňte filtre. Pozri **VLOŽENIE FILTROV**.
5. Ak je aj nádrž suchá, nasadte na ňu späť motorovú jednotku 4 a upevnite ju pomocou upevňovacích úchytiak 5.

VYPNUTIE/PREPRAVA (obrázok "A")

1. Prepnete Za- / Vypínač 3 do polohy „OFF“.
2. Odpojte zariadenie zo sieťovej zásuvky.
3. Naviňte napájací kábel 2 na hornú rukoväť / držiak kábla 1, ako je znázornené na obrázku.
4. Pri preprave vo vozidle vždy zaistíte zariadenie proti pohybu.

ÚDRŽBA

Zariadenie DEWALT bolo skonštruované tak, aby pracovalo čo najdlhšie s minimálnymi nárokmi na údržbu. Neoprežítá a správna prevádzka zariadenia však závisí aj od riadnej údržby a pravidelného čistenia zariadenia.

▲ UPOZORNENIE: Aby ste predišli zraneniu, vždy pred inštaláciou alebo odstránením príslušenstva, nastavovaním zariadenia alebo zmenou akýchkoľvek nastavení zariadenie vypnite a odpojte zo zásuvky. Náhodné zapnutie zariadenia môže spôsobiť zranenie.

▲ UPOZORNENIE: Pri opravách, ktoré môže vykonať používateľ, je potrebné zariadenie najskôr rozobrať, vyčistiť a vykonať primerane uskutočniteľné opravy bez ohrozenia personálu údržby alebo iných osôb. Medzi vhodné preventívne opatrenia patrí odstránenie kontaminácie zo zariadenia pred demontážou, zabezpečenie odsávacieho vetrania na mieste demontáže, čistenie oblasti údržby a používanie vhodných osobných ochranných prostriedkov.

- Výrobca alebo autorizovaná osoba musí minimálne raz ročne vykonať technickú kontrolu zariadenia, ktorá zahŕňa napríklad kontrolu nepoškodeného stavu filtrov, vzduchového tesnenia a správnej činnosti ovládacieho mechanizmu.
- Počas údržby alebo opravy je potrebné vymeniť akékoľvek kontaminované príslušenstvo, ktoré nebolo možné dostatočne vyčistiť. Kontaminované príslušenstvo musí byť umiestnené do vodotesných vriec v súlade s aktuálnymi miestnymi predpismi pre nakladanie s týmto typom odpadu.
- Pri zariadeniach, ktoré možno použiť ako odsávače prachu, musí byť zabezpečená dostatočná výmena vzduchu v miestnosti, ak sa odsávaný vzduch vracia späť do miestnosti.

POZNÁMKA: V prípade potreby postupujte podľa platných predpisov.

FILTER (obrázok „A“, „H“ a „I“)

STAROSTLIVOSŤ O FILTRE

Filtere vysávača sú navrhnuté pre dlhú životnosť. Aby sa účinne znížilo množstvo prachu vracajúceho sa do ovzdušia, je dôležité, aby boli filtre správne vložené do zariadenia a aby boli v dobrom stave.

▲ UPOZORNENIE: Pri manipulácii s filterami sa odporúča používať osobné ochranné prostriedky vhodné pre danú úlohu, ako je maska proti prachu alebo rukavice.

ODSTRÁNENIE FILTROV

1. Prepnete Za- / Vypínač ③ do polohy "OFF" (O) a odpojte napájací kábel zo zásuvky.
2. Otvorte upevňovacie úchytky nádrže ⑤ a vyberte motorovú jednotku ④ z nádrže. Položte motorovú jednotku ④ na rovný povrch a nechajte vyschnúť.
3. Uchopte plastovú koncovku a otočte filtre ⑨ jeden po druhom proti chodu smeru hodinových ručičiek, potom ich opatrne zdvihnite z jednotky motora. Počas prevádzky dbajte na to, aby úlomky nespadli do upevňovacieho otvoru.

POZNÁMKA: Dávajte pozor, aby ste počas tejto operácie nepoškodili materiál filtra.

4. Na čistenie spodnej strany motorovej jednotky použite utierku navlhčenú vodou a jemným mydlom a nechajte ju uschnúť. Vložte utierku použitú na čistenie do vhodnej odpadovej nádoby.
5. Skontrolujte, či filtre nie sú opotrebované, roztrhnuté alebo inak poškodené.

POZNÁMKA: Ak si nie ste istí správnym stavom filtra, tento filter **MUSÍTE VYMENIŤ**. Poškodené filtre sa **NESMÚ** ďalej používať.

▲ UPOZORNENIE: Na čistenie filtrov je zakázané používať stlačený vzduch alebo kefu, pretože môžu poškodiť membránu filtra a spôsobiť preniknutie prachových častíc cez filter. V prípade potreby jemne poklepte filter o tvrdý povrch, potom ho opláchnite vodou s izbovou teplotou a nechajte uschnúť. Filtre zvyčajne nie je potrebné čistiť, aj keď sa na nich vytvorila vrstva prachu. Automatický systém čistenia filtra udržiava maximálny výkon filtra a nepretržitú prevádzku. Ak je membrána filtra viditeľne poškodená, vymeňte filter. Každý filter možno zvyčajne používať šesť až dvanásť mesiacov v závislosti od frekvencie používania a údržby zariadenia.

VLOŽENIE FILTROV

1. Skontrolujte, či je tesnenie filtra ⑮ bezpečne na svojom mieste.
2. Zarovnajte závit filtra ⑮ so závitmi zostavy motora, potom miernou silou otáčajte filtrom v smere chodu hodinových ručičiek, kým pevne nezapadne.

POZNÁMKA: Dávajte pozor, aby ste nepoškodili materiál filtra.

3. Nasadte motorovú jednotku ④ späť na nádrž a zaistite ju upevňovacími úchytkami ⑤.

VYPRÁZDNENIE NÁDRŽE (obrázok "J")

▲ UPOZORNENIE: Aby ste predišli poškodeniu spôsobenému náhodným zapnutím zariadenia, pred vyprázdnením nádrže odpojte zariadenie zo zásuvky.

1. Odstráňte zostavu sacej hlavice vysávača na mokro-suché vysávanie potiahnutím za upevňovacie prchytky na oboch stranách vysávača smerom von. Zdvihnite zostavu sacej hlavice z miesta.
2. Vyprázdňte nádrž na zber prachu do vhodnej nádoby na zber odpadu..

FUNKCIA ODFÚKANIA PRACHU

▲ UPOZORNENIE: Pre bezpečnosť okolostojacich nesmerujte na nich vyfúknuté nečistoty.

▲ UPOZORNENIE! Ak sa pri fúkaní prachu vytvára vdychovateľný prach, noste protiprachovú masku.

▲ UPOZORNENIE! Aby ste predišli poškodeniu sluchu, noste ochranu sluchu, keď vysávač/fúkač používate nepretržite po dlhú dobu alebo na hlučných miestach.

PRIPOJENIE NÁSTROJOV (obrázky "K" a "L")

1. Skontrolujte, či je hlavný vypínač ③ v polohe „OFF“ a či je napájací kábel zariadenia vytiahnutý zo zásuvky.
2. V ďalšom kroku si môžete vybrať dve možnosti: Pripojte napájací kábel zariadenia do zásuvky a hlavný vypínač ③ prepnete do polohy „ON“ (I). V tomto prípade sa vysávač zapne. Zapojte napájací kábel prístroja do sieťovej zásuvky a hlavný vypínač ③ prepnete do polohy „ON“ (I I): týmto spôsobom sa zapne pripojený nástroj.

▲ UPOZORNENIE: Výstupný konektor vysávača používajte iba na pripojenie externého elektrického náradia. Vysávač je možné automaticky zapnúť a vypnúť z pripojeného nástroja.

Zaťaženie pripojeného nástroja nesmie presiahnuť maximálne povolené zaťaženie (PA) výstupného konektora vysávača. Dodržujte tiež návod na použitie a bezpečnostné upozornenia pre nástroj pripojený k výstupu vysávača.

ODPORÚČANIE: Vždy používajte vysávač s ochranou proti zvyškovému prúdu maximálne 200 mA alebo menej. Pred pripojením nástroja k vysávaču skontrolujte, či je hlavný vypínač nástroja v polohe „OFF“. Po vypnutí nástroja pripojeného do zásuvky vysávača bude vysávač pokračovať v prevádzke cca. 15 sekúnd a potom sa automaticky vypne.

ELEKTRICKÁ BEZPEČNOSŤ

1. **Pripojovacia vidlica nástroja musí zapadnúť do výstupu. Akékoľvek úpravy pripojovacej vidlice sú zakázané! Nikdy nepoužívajte pripájacie adaptéry s uzemneným nástrojom.** Používanie neupravenej pripojovacej vidlice a kompatibilného výstupu znižuje riziko úrazu elektrickým prúdom.
2. **Nedotýkajte sa uzemnených povrchov. Môžu to byť potrubia, radiátory, prístroje a chladiče.** Ak uzemníte svoje vlastné telo, riziko úrazu elektrickým prúdom je väčšie.
3. **Chráňte nástroj pred dažďom a vlhkým prostredím.** Voda vniknutá do nástroja zvyšuje riziko úrazu elektrickým prúdom.
4. **Napájací kábel používajte opatrne. Napájací kábel nepoužívajte na prenášanie, ťahanie alebo odpájanie nástroja zo zásuvky.** Napájací kábel vždy držte mimo zdrojov tepla, olejov, ostrých hrán a pohyblivých častí. Používanie poškodeného alebo zamotaného napájacieho kábla zvyšuje riziko úrazu elektrickým prúdom.
5. **Ak používate obrábací stroj vonku, použite predlžovací kábel alebo káblový bubon vhodný na vonkajšie použitie.** Používanie predlžovacieho kábla vhodného na vonkajšie použitie znižuje riziko úrazu elektrickým prúdom.
6. **Ak musíte obrábací stroj používať na mokrom mieste, použite zásuvku chránenú proti zvyškovému prúdu.** Riziko úrazu elektrickým prúdom je znížené použitím ochranného zariadenia proti zvyškovému prúdu.
7. **Elektromotor je určený na určité napätie.** Vždy skontrolujte, či napätie uvedené na typovom štítku náradia zodpovedá napätiu napájacieho zdroja. Ak je napájací kábel poškodený, môže ho vymeniť iba spoločnosť DEWALT alebo autorizované servisné stredisko DEWALT.

VÝMENA PRIPOJOVACEJ VIDLICE (LEN SPOJENÉ KRÁĽOVSTVO A ÍRSKO)

Ak je potrebné vymeniť pripojovaciu vidlicu:

- Starú pripojovaciu vidlicu riadne zlikvidujte.
- Pripojte hnedý vodič k prípojke živého vodiča novej pripojovacej vidlice.
- Pripojte modrý vodič k prípojke nulového vodiča.
- Pripojte žltý/zelený vodič k prípojke uzemňovacieho vodiča.

Postupujte podľa návodu na použitie kvalitnej pripojovacej vidlice. Odporúčaná poisťka: 13 A.

▲ UPOZORNENIE: Nepoužívajte prípojku osvetlenia. Je zakázané pripojiť živý (L) alebo nulový (N) vodič k uzemňovacej prípojke s označením "E".

POUŽITIE PREDLŽOVACIEHO KÁBLA

Ak používate predlžovací kábel, zvolte 3-žilový typ veľkosti zodpovedajúcej príkonu daného náradia. Minimálny prierez vodiča je 1,5 mm²; maximálna dĺžka 30 m. Ak používate predlžovací kábel na káblovom bubne, vždy ho pred začatím práce úplne odviňte.

FUNKCIA FÚKANIA (obrázok "C")

▲ UPOZORNENIE: Pre bezpečnosť okolostojacich nesmerujte na nich vyfúknuté nečistoty.

Vysávač disponuje aj funkciou fúkania prachu. Prístroj dokáže odstraňovať piliny a iné nečistoty pomocou funkcie fúkania prachu. Dá sa použiť na vyfúknutie prachu alebo nečistôt napríklad z garáže, z terasy alebo príjazdovej cesty. Ak chcete použiť funkciu fúkania prachu zariadenia, postupujte podľa nasledujúcich krokov.

1. Nájdite na zariadení výstup ventilátora.
2. Vložte jeden koniec sacej hadice do výstupu ventilátora.
3. Prepňte zariadenie do polohy "ON".

SKLADOVANIE (obrázok A)

1. Vyprázdňte nádrž podľa pokynov uvedených v časti **VYPRÁZDNENIE NÁDRŽE**.
2. Vyčistite vysávač zvnútra aj zvonka. Pozrite časť **ČISTENIE**.
3. Vyčistite alebo vymeňte filtre. Pozrite časť **FILTRE**.
4. Usporiadajte saciu hadicu a napájací kábel podľa obrázku „A“. Umiestnite zariadenie v suchej miestnosti, kam nemajú prístup neoprávnené osoby.

VOLITELNÉ PRÍSLUŠENSTVO

▲ UPOZORNENIE: Iné príslušenstvo ako príslušenstvo odporúčané spoločnosťou DEWALT nebolo s výrobkom testované, jeho použitie môže byť nebezpečné. Aby ste znížili riziko zranenia, používajte iba príslušenstvo odporúčané spoločnosťou DEWALT pre tento výrobok.

ČISTENIE

Aby ste zachovali správny vonkajší stav suchomokrého vysávača, pravidelne čistite vonkajšie povrchy zariadenia utierkou navlhčenou teplou vodou a jemným mydlom.

Čistenie nádrže:

1. Vyprázdnenie odpadu.
2. Nádrž dôkladne umyte teplou vodou a jemným mydlom.
3. Utrite suchou utierkou.

RIEŠENIE PROBLÉMOV

▲ UPOZORNENIE: PRE ZNÍŽENIE RIZIKA PORANENIA POHYBLIVÝMI SÚČIASTKAMI ALEBO ÚRAZU ELEKTRICKÝM PRÚDOM VYPNITE JEDNOTKU A ODPOJTE NAPÁJACÍ KÁBEL ZO ZÁSUVKY PRED ZAČATÍM RIEŠENIA PROBLÉMOV.

Menšie problémy sa zvyčajne dajú opraviť samostatne, bez návštevy zákaznickeho servisu.

PROBLÉM	RIEŠENIE
Motor sa nespustí.	Skontrolujte napájací kábel, pripojovacie vidlice a nástennú zásuvku.
	Skontrolujte, či je hlavný spínač v polohe "ON" (Zapnuté) (1).
Výkon nasávania sa znižuje.	Odstráňte predmety zablokované v nasávacej hubici, nasávacej trubici, hadici alebo vo filtroch.
	Vymeňte jednorazové vrečko.
	Skontrolujte správne umiestnenie filtrov.
	Vyčistite alebo vymeňte filtre.
	Vyprázdňte zásobník. Pozrite časť "VYPRÁZDNENIE NÁDRŽE" v kapitole "Používanie prístroja".
Vysávač sa zastaví.	Bola aktivovaná ochrana proti prehriatiu: 1. Vypnite vysávač a odpojte od nástennej zásuvky. 2. V prípade potreby vyprázdňte zásobník. 3. Nechajte zariadenie vychladnúť na izbovú teplotu. 4. Pre kontrolu prístroja pripojte napájací kábel do vhodnej nástennej zásuvky a nastavte hlavný spínač do polohy "ON" (Zapnutý).
Počas vysávania vychádza z vysávača prach.	Skontrolujte správne usadenie filtrov.
	Skontrolujte, či nie sú filtre poškodené a ak je to nutné, vymeňte ich.
	Skontrolujte, či sú na svojich miestach tesnenia filtrov a či sú filtre riadne zaistené.
	Skontrolujte jednotku motora.

▲ UPOZORNENIE:

Ak je napájací kábel zariadenia poškodený, môže ho vymeniť iba výrobca, jeho servisný zástupca alebo podobne kvalifikovaná osoba, aby sa predišlo ďalším rizikám.

▲ UPOZORNENIE:

Produkt nemožno použiť na filtrovanie patogénov, ako je vírus, ktorý spôsobuje ochorenie COVID-19. Dodržiavajte všetky miestne, štátne alebo právne pokyny pre všeobecné postupy čistenia.

ZÁRUKA NA NÁRADIE



DEWALT dôveruje kvalite svojich vlastných produktov, a preto ponúka prémiovú záruku pre profesionálnych/priemyselných používateľov produktu. Záruka nemení vaše zmluvné práva ako profesionálneho používateľa ani vaše zákonné práva ako individuálneho, neprofesionálneho používateľa, ale ich dopĺňa. Záruka platí na území členských štátov Európskej únie a Európskeho hospodárskeho priestoru. Podľa podmienok európskej PT záruky DEWALT, ktorá je vám k dispozícii aj v kanceláriách DEWALT, u predajcov alebo na webovej stránke www.2helpU.com, ak váš výrobok DEWALT zlyhá v dôsledku chyby materiálu alebo spracovania do 36 mesiacov od dátumu od kúpy, potom na základe vlastného uváženia DEWALT zabezpečí bezplatnú výmenu všetkých chybných dielov alebo celej jednotky.

DEWALT si vyhradzuje právo odmietnuť záručné nároky, ak na základe názoru autorizovaného servisu nespĺňa uvedené európske záručné podmienky DEWALT. Ak chcete podať reklamáciu, kontaktujte svojho predajcu alebo vyhľadajte online najbližšie servisné stredisko DEWALT alebo z katalógu DEWALT alebo navštívte pobočku DEWALT na adrese uvedenej v používateľskej príručke. Zoznam autorizovaných servisných služieb DEWALT a úplný popis nášho zákazníckeho servisu nájdete na nasledujúcej webovej stránke: www.2helpU.com.

3 ROČNÁ ZÁRUKA NA EURÓPSKE NÁRADIE DEWALT (PT)

Európska záruka DEWALT PT na váš výrobok je platná 3 roky od dátumu zakúpenia podľa nižšie uvedených podmienok.

1. Všeobecné podmienky
 - 1.1. 3-ročná európska PT záruka DEWALT sa vzťahuje na pôvodného používateľa výrobku DEWALT, ktorý si tieto výrobky zakúpil od autorizovaného európskeho distribútora DEWALT na použitie vo svojej živnosti alebo profesii. Európska PT záruka DEWALT sa nevzťahuje na osoby, ktoré si zakúpia výrobok DEWALT za účelom ďalšieho predaja alebo prenájmu.
 - 1.2. Táto záruka je neprenosná. Záruka sa vzťahuje len na pôvodného používateľa výrobku DEWALT, ktorý si výrobok zakúpil, ako je popísané vyššie.
 - 1.3. Okrem podmienok opísaných v tomto dokumente platia aj podmienky európskej záruky DEWALT.
 - 1.4. Oprava alebo výmena v rámci záruky nepredlžuje ani neobnovuje záručnú dobu. Trojročná záručná doba začína plynúť dátumom pôvodného nákupu a končí 36 mesiacov po tomto dátume.
 - 1.5. Na tento produkt sa nevzťahujú pravidlá DEWALT 30-1-1, ktoré boli odvolané 01.01.2016.
2. Výrobky, na ktoré sa nevzťahuje 3-ročná európska PT záruka DEWALT. Okrem produktov uvedených v časti 3 európskej PT 3-ročnej záruky DEWALT sa záruka nevzťahuje ani na nasledujúce produkty značky DEWALT:
 - Upevňovacie nástroje, ako sú sponkovačky, rázové nástroje.
 - Akumulátory a nabíjačky akumulátorov.
 - Reštaurované alebo renovované produkty, ktoré boli označené ako „Factory rework“ a/alebo „Q“.
 - Kompresory a generátory.
3. Podanie záručnej reklamácie
 - 3.1. Ak chcete podať reklamáciu, kontaktujte svojho predajcu alebo vyhľadajte najbližšie servisné stredisko DEWALT na www.2helpU.com.
 - 3.2. Vráťte náradie DEWALT na adresu predajcu alebo autorizovaného servisného strediska DEWALT spolu so všetkými dielmi a originálnym dokladom o kúpe.
 - 3.3. Spoločnosť DEWALT si vyhradzuje právo odmietnuť reklamáciu záruky, ak ju na základe názoru autorizovaného servisného oddelenia nemožno považovať za poruchu v dôsledku chyby materiálu alebo výrobných chyby podľa vyššie uvedených európskych záručných podmienok DEWALT.
4. Úprava záručných podmienok
 - 4.1. DEWALT si vyhradzuje právo zmeniť záručné podmienky, lehoty a záručné produkty bez predchádzajúceho upozornenia podľa vlastného uváženia spoločnosti DEWALT.
 - 4.2. Aktuálne európske záručné podmienky DEWALT pre PT sú dostupné na www.2helpU.com, u miestneho predajcu DEWALT alebo v pobočke DEWALT.

SPECIFICAȚIILE PRODUSULUI

Model	DXV20PTA
Sursa de alimentare	220-240 V / 50/60 Hz / 1050 W
Presiune negativă	15 kPa
Furnizare de aer	37,8 l/mp
Capacitatea rezervorului	20 l
Furtun	48 mm x 2,1 m
Cablu de alimentare	H07RN-F,3G x 1.5mm ² / 3.05m

CONȚINUTUL PACHETULUI

Conținutul pachetului este următorul:

- 1 Furtun de 48 mm x 2,1 m (DXVA19-2558)
- 2 Tije pentru prelungire (DXVA19-1202)
- 1 perie rotundă de curățat (DXVA19-2400)
- 1 cap general (DXVA19-1300)
- 1 Cap de curățare a podelei (DXVA19-1900D)
- 1 Sac de unică folosință pentru aspirator (DXVA19-4204)
- 1 Filtru Clean Connect™ (DXVC4001)
- 1 Cap strâmtat (DXVA19-1400)
- 1 Manual de utilizare
- 1 Sac de depozitare a accesoriilor (DXVA19-5158)
- 1 Set de șuruburi
- 4 Roți

• Verificați starea uneltelor, pieselor sau accesoriilor pentru a vă asigura că nu au fost deteriorate în timpul transportului.

• Citiți și interpretați cu atenție acest manual înainte de a utiliza aparatul.

DEFINIȚII: GHID DE SIGURANȚĂ

Următoarele definiții se referă la gravitatea pericolului asociat fiecărui cuvânt de avertizare. Vă rugăm să citiți manualul și să accordați întotdeauna atenție atunci când vedeți aceste simboluri.

▲ PERICOL: Indică o situație periculoasă directă care ar putea duce la deces sau vătămări grave.

▲ AVERTISMENT: Indică o situație potențial periculoasă care ar putea duce la deces sau vătămări grave.

▲ ATENȚIE! Indică o situație potențial periculoasă care ar putea duce la răni minore sau medii.

NOTĂ: Indică o practică care nu prezintă un risc de vătămare corporală dar care ar putea duce la daune materiale.

INSTRUCȚIUNI DE SIGURANȚĂ IMPORTANTE

▲ AVERTISMENT: Citiți toate avertismentele și instrucțiunile de siguranță atunci când utilizați aparate electrice. Nerespectarea avertismentelor și instrucțiunilor de siguranță poate duce la electrocutare, incendiu și/sau vătămări grave:

CITIȚI INSTRUCȚIUNILE ÎNAINTE DE A UTILIZA APARATUL ȘI RESPECTAȚI-LE ÎNTOTDEAUNA.

▲ AVERTISMENT: Aveți întotdeauna grijă când utilizați aparatul pentru a evita electrocutarea. Protejați aparatul de ploaie și precipitații. Depozitați aparatul în interior.

- Nu lăsați aparatul nesupravegheat atunci când este conectat la sursa de alimentare de la rețea. Atunci când aparatul nu mai este utilizat și înainte de a-l repara, deconectați cablul de alimentare de la priza de perete.
- Nu permiteți copiilor să se joace cu aparatul. Accordați o atenție sporită atunci când utilizați aparatul în apropierea copiilor.
- Utilizați aparatul NUMAI în modul și în scopurile specificate în acest manual. Folosiți numai componentele de îmbinare recomandate de DEWALT.
- Dacă cablul de alimentare este deteriorat, nu utilizați aparatul! Dacă aparatul nu funcționează corect sau dacă aparatul a căzut, a fost deteriorat, a fost lăsat afară sau a căzut în apă, duceți-l la un centru de service.
- Nu trageți sau ridicați aparatul de cablul de alimentare, nu folosiți cablul de alimentare pe post de mâner, nu închideți o ușă pe el și nu îl trageți în jurul unor margini sau colțuri ascuțite. Nu rostogoliți aparatul peste propriul cablu de alimentare. Țineți cablul de alimentare departe de suprafețele care emit căldură.
- Nu scoateți niciodată aparatul din priză prin cablul de alimentare. Deconectați întotdeauna cablul de alimentare de la priza de perete prin fișă.
- Nu atingeți ștecherul sau aparatul cu mâinile umede.
- Nu introduceți nimic în nici o deschizătură a aparatului. Nu utilizați aparatul dacă deschiderile de ventilație sunt blocate. Curățați în mod regulat orice praf, scame sau păr care restricționează fluxul de aer din orificiile de ventilație.
- Țineți părul, hainele largi și atârnat, degetele și alte părți ale corpului departe de orificiile de aerisire și de piesele în mișcare.
- Opriti toate comenzile înainte de a deconecta aparatul de la priza de perete.
- Fiți mai atent decât de obicei atunci când utilizați aparatul pe scări.
- Nu utilizați aparatul pentru a aspira lichide inflamabile sau combustibile, cum ar fi benzina, sau în apropierea unor lichide inflamabile sau combustibile.
- În locuri uscate, cu umiditate scăzută, este posibil să vă confrunțați cu descărcări statice. Acesta este un fenomen temporar și nu are niciun efect asupra utilizării normale a aparatului. Frecvența descărcărilor statice poate fi redusă prin utilizarea unui suport și a unui dispozitiv de umidificare. De asemenea, puteți utiliza un furtun (accesoriu bază la unele modele) în acest scop.
- Pentru a evita autoaprinderea, goliiți rezervorul după fiecare utilizare.

▲ ATENȚIE: Acest dispozitiv poate fi utilizat de către persoane cu capacități fizice, senzoriale sau mentale reduse sau lipsite de experiență și cunoștințe, precum

și de către copii, numai în cazul în care acestea au primit instrucțiuni privind utilizarea dispozitivului de la o persoană responsabilă pentru siguranța lor. Copiii trebuie supravegheați astfel încât să nu se joace cu dispozitivul.

PĂSTRAȚI INSTRUCȚIUNILE DE UTILIZARE

REGULI SUPLIMENTARE DE SIGURANȚĂ

- Nu aspirați niciun obiect care arde sau emite fum, cum ar fi țigări, chibrituri sau cărbuni fierbinți.
- Nu aspirați materiale inflamabile sau explozive, cum ar fi cărbune, cereale sau alte materiale inflamabile fin măcinate.
- Nu utilizați aparatul pentru a aspira substanțe periculoase, toxice sau cancerigene, cum ar fi azbestul sau pesticidele.
- Nu aspirați niciodată lichide explozive (de exemplu, benzină, motorină, păcură, diluant etc.) sau acizi și solvenți.
- Nu utilizați aparatul fără filtru, cu excepția cazurilor specificate în secțiunea **OPERAȚIUNI DE ASPIRAT UMEDE**.
- Anumite materiale lemnoase pot conține conservanți cu efecte toxice. Atunci când lucrați cu astfel de materiale, acordați o atenție sporită pentru a preveni inhalarea și contactul pielii cu substanțele toxice. Adresați-vă producătorului materialului pentru a primi informații despre siguranță și respectați instrucțiunile din acesta.
- Nu stați cu picioarele pe aspirator.
- Nu așezați obiecte grele pe aspirator.
- Dacă folosiți un cablu prelungitor, pentru siguranță, alegeți un cablu de tip 3 fire corespunzătoare consumului de energie al aparatului.
- Dacă utilizați un prelungitor în exterior, acesta trebuie să fie marcat.

▲ AVERTISMENT:

Pentru a limita expunerea la substanțe chimice, purtați echipament individual de protecție aprobat, de exemplu o mască de praf special concepută pentru a filtra particulele microscopice.

PE CAPACUL MOTORULUI:

▲ AVERTISMENT:

- A PENTRU A PREVENI VĂTĂMĂRILE CORPORALE, ESTE OBLIGATORIU SĂ CITIȚI INSTRUCȚIUNILE DE UTILIZARE! NU LĂSAȚI ASPIRATORUL PORNIT ȘI NESUPRAVEGHEAT. NU UTILIZAȚI ÎN PREZENȚA PULBERILOR, LICHIDELOR SAU VAPORILOR EXPLOZIBILI! APARATELE ELECTRICE POT EMITE DESCĂRCĂRI ÎN ARC ELECTRIC SAU SCÂNTEI ELECTRICE CARE POT PROVOCA INCENDII SAU EXPLOZII.
- APARATUL NU TREBUIE SĂ FIE UTILIZAT ÎN BENZINĂRII SAU ÎN APROPIEREA ORICĂRUI LOC ÎN CARE SE ALIMENTEAZĂ SAU SE DISTRIBUIE BENZINĂ. NU ASPIRAȚI SUBSTANȚE TOXICE SAU CANCERIGENE DĂUNĂTOARE PENTRU SĂNĂTATE, CUM AR FI AZBESTUL SAU PESTICIDELE. PURTAȚI ÎNTOTDEAUNA ECHIPAMENT DE PROTECȚIE ADECVAT PENTRU A VĂ PROTEJA OCHII ȘI RESPIRAȚIA.
- PENTRU A EVITA ȘOCURILE ELECTRICE, NU UTILIZAȚI APARATUL PE TIMP DE PLOAIE!

DEPOZIȚAȚI APARATUL ÎN INTERIOR. ATUNCI CÂND REPARAȚI APARATUL, UTILIZAȚI NUMAI PIESE DE SCHIMB ORIGINALA DIN FABRICĂ. ESTE INTERZIS SĂ STAȚI CU PICIOARELE PE APARAT!

PĂSTRAȚI INSTRUCȚIUNILE DE UTILIZARE

INSTRUCȚIUNI DE UTILIZARE

PAȘI PENTRU DESPACHETARE ȘI ASAMBLARE

1. Scoateți urechile de fixare a rezervorului. Scoateți accesoriile, cum ar fi duza de aspirare, furnizate în rezervor.
2. Montați roțile cauciucate de mare rezistență pe aparat, conform instrucțiunilor din manual.
3. Dacă folosiți diferite capete de aspirare, verificați manualul pentru a vă asigura că folosiți filtrele corecte pentru operațiunea de curățare.
4. Strângeți blocajul de pe capul de aspirare cu degetele mari, apoi trageți capul de aspirare pe tub până când acesta face clic. Asigurați-vă că ați închis bine și urechile de fixare a recipientului.
5. Conectați capătul furtunului la orificiul de admisie al rezervorului.
6. Atașați accesoriile de prelungire necesare la furtun. În timpul asamblării trebuie aplicată o presiune suficientă pentru a asigura o potrivire strânsă.
7. Așezați unul dintre accesoriile de curățare (după cum este necesar) pe accesoriul de îmbinare (furtun), rotind ușor capul pentru a asigura o potrivire suficient de strânsă.
8. Conectați fișa de alimentare a aparatului la o priză de perete. Aparatul este acum gata de utilizare!

▲ AVERTISMENT:

Pentru a reduce riscul de incendiu și explozie, nu utilizați aparatul pentru aspirarea gazelor, vaporilor sau pulberilor inflamabile care pot forma un amestec exploziv cu aerul. Astfel de gaze sau vapori inflamabili pot include, dar nu se limitează la, lichid de brichetă, agenți de curățare pe bază de solvenți, vopsele pe bază de ulei, benzină, alcool sau spray-uri de aerosoli. Pulberile explozive pot include, fără a se limita la acestea, praful de cărbune, praful de magneziu, praful de aluminiu, cerealele sau praful de pușcă. Nu folosiți dispozitivul pentru a aspira pulberi explozive, lichide inflamabile sau combustibile sau cărbuni fierbinți! Nu utilizați dispozitivul pentru pulverizarea de lichide inflamabile sau combustibile. Pentru a reduce riscul de afectare a sănătății cauzată de diverși vapori sau pulberi, nu utilizați dispozitivul pentru aspirarea substanțelor toxice.

▲ AVERTISMENT:

REPARAREA ASPIRATORULUI USCAT-UMED, DUBLU IZOLAT

Aspiratoarele uscat-umed cu izolație dublă au două sisteme de izolație în loc de împământare. Aparatele cu izolație dublă nu au protecție la împământare și nici nu se recomandă adăugarea unei protecții de împământare la aparat. Pentru a repara un aspirator cu izolație dublă cu funcționare în mediu uscat-umed necesită atenție și o cunoaștere temeinică a sistemului și trebuie efectuată numai de către personal calificat. Piesele de schimb utilizate pentru un aspirator dublu izolat uscat-umed trebuie să fie identice în toate privințele cu piesa care urmează să fie înlocuită. Aspiratorul uscat-umed cu izolație

dublă trebuie să poarte, de asemenea, inscripția "DOUBLE-INSULATED" și, dacă este cazul, simbolul (un pătrat în interiorul unui pătrat).

Pentru a evita rănirea prin electrocutare, scoateți aparatul din priză de perete înainte de a repara componentele electrice ale aspiratorului uscat-umed.

▲ AVERTISMENT:

În cazul în care cablul de alimentare al dispozitivului este deteriorat, pentru a evita alte pericole acesta trebuie înlocuit numai de către producător, de către agentul de service al producătorului sau de către o persoană cu calificare similară.

▲ AVERTISMENT:

Deconectați aparatul de la priză de perete înainte de a începe operațiunile de întreținere. Înainte de a începe să utilizați aparatul, verificați dacă calitatea tensiunii de alimentare de la rețeaua electrică disponibilă corespunde valorilor de frecvență și tensiune indicate pe plăcuța de identificare a aparatului. Specificațiile pot fi modificate fără notificare prealabilă. Accesoriile prezentate în ilustrații pot varia în funcție de tipul de aparat.

MĂSURI IMPORTANTE DE SIGURANȚĂ

Acest simbol de pe produs sau de pe ambalaj înseamnă că, la sfârșitul duratei sale de viață, produsul nu trebuie tratat ca deșeu menajer. În cazul în care aparatul a devenit deșeu, predați-l la un punct de colectare pentru reciclarea echipamentelor electrice și electronice. Prin eliminarea corectă a produsului dumneavoastră, puteți contribui la reducerea impactului negativ asupra mediului și sănătății care ar fi cauzate de produs dacă acesta ar fi tratat ca deșeu general. Pentru reciclare, vă rugăm să contactați autoritățile locale sau centrele de colectare a deșeurilor sau magazinul de unde ați achiziționat produsul (produsele).

PROTECȚIA MEDIULUI



Colectați separat diferitele materii prime. Produse sau articole care au fost marcate cu acest simbol nu trebuie tratate ca deșeu menajer general. Produsele și bateriile conțin materiale care pot fi recuperate și reciclate, reducând astfel nevoia de materii prime. Atunci când reciclați aparatele electrice și bateriile, respectați întotdeauna legile locale. Pentru mai multe informații, vă rugăm să vizitați www.2helpU.com.

INSTRUCȚIUNI ("Figura A")

▲ AVERTISMENT: Este interzisă orice modificare a mașinii și a pieselor sale! Modificările pot provoca vătămări corporale sau daune materiale.

- 1 Mâner de sus / clemă de cablu
- 2 Cablu de alimentare
- 3 Întrerupător pornit/oprit
- 4 Unitatea motorului
- 5 Urechi de fixare a rezervorului
- 6 Rezervor
- 7 Furtun de aspirație
- 8 Roți
- 9 Filtru Clean Connect™
- 10 Intrarea furtunului
- 11 Clemă pentru strângerea furtunului
- 12 Sac de unică folosință pentru aspirator

ASAMBLAREA ȘI INSTALAREA COMPONENTELOR

(diagramele de la "A" la "C")

▲ AVERTISMENT: Pentru a evita deteriorarea, opriți întotdeauna aparatul și scoateți-l din priză de perete înainte de a instala sau scoate accesorii, de a regla aparatul sau de a modifica setările. Activarea accidentală a dispozitivului poate provoca vătămări corporale.

▲ AVERTISMENT: Folosiți întotdeauna un filtru

9 atunci când aspirați, cu excepția cazurilor specificate în capitolul privind manipularea aparatului la OPERAȚIUNI NECESARE PENTRU ASPIRAT UMED. Atunci când aspirați particule fine, este posibil să aveți nevoie și de un sac de praf de unică folosință pentru a facilita golirea recipientului.

1. Introduceți sacul de praf de unică folosință 12 în aparat, așa cum se arată în figura "B".
NOTĂ: Asigurați-vă că sacul de praf nu se rupe în timpul operațiunii. Pentru a obține cea mai bună etanșitate posibilă - și, astfel, un efect de aspirare mai eficient - așezați sacul pe gura de intrare a furtunului 10, astfel încât să nu se poată mișca.
2. Repoziționați unitatea motorului 4 pe rezervor și fixați-o cu ajutorul urechilor de fixare 5.
3. Conectați capătul furtunului 7 la intrarea furtunului 10 și fixați-l bine de rezervor.

MANIPULAREA DISPOZITIVULUI MANUAL DE UTILIZARE (figura A, D, E)

▲ AVERTISMENT: Respectați întotdeauna instrucțiunile de siguranță și reglementările aplicabile.

1. Conectați fișa de alimentare la o priză de perete.
2. Poziționați comutatorul pornit/oprit 3 în poziția "ON" (I).
3. Dispozitivul DEWALT de aspirare a resturilor de la construcții este echipat cu sistemul de conectare DEWALT. Acesta vă permite să conectați furtunul 7 și dispozitivul rapid și sigur. Conectorul 13 se conectează direct la unealta compatibilă DEWALT cu ajutorul unui adaptor (disponibil separat de la distribuitorul local DEWALT). Consultați figura E pentru asamblarea adaptoarelor.

NOTĂ: Dacă utilizați un adaptor, înainte de a trece la pașii următori, asigurați-vă că adaptorul se potrivește perfect pe ieșirea dispozitivului.

INSTRUCȚIUNI DE UTILIZARE MONTAREA ROȚILOR (figurile "A" și "F")

1. Întoarceți rezervorul cu susul în jos, apoi montați-l și fixați roțile pe fundul rezervorului cu ajutorul unor șuruburi.
2. Readuceți rezervorul în poziția sa normală.

ÎNDEPĂRTAREA SACULUI DE PRAF DE UNICĂ FOLOSINȚĂ ȘI ÎNLOCUIRE ("Figura A")

▲ AVERTISMENT: Atunci când manipulați sacul de praf, se recomandă să purtați echipament de protecție personală, cum ar fi o mască de praf sau mănuși, adecvate sarcinii.

1. Oprii aspiratorul și deconectați cablul de alimentare de la priză.
2. Deschideți urechile de fixare a recipientului ⑤ și scoateți unitatea motorului ④ din recipient.
3. Scoateți cu grijă sacul de praf de unică folosință ⑫ prin orificiul de intrare a furtunului ⑩.
4. Închideți bine deschiderea sacului de praf de unică folosință ⑫ înainte de a-l scoate din mașină.
5. Sacul de praf de unică folosință ⑫ trebuie plasat într-un recipient de colectare în conformitate cu cerințele legale aplicabile.

OPERAȚIUNI DE ASPIRARE UMEDE (figurile "A" și "G")

▲ AVERTISMENT: Oprii imediat aparatul dacă acesta prezintă scurgeri de spumă sau de lichid.

▲ AVERTISMENT: Pentru pulberi din clasa L, nu utilizați acest aparat în această configurație. Atunci când rezervorul se umple, plutitorul cu bilă ⑭ va întrerupe fluxul de aer către motor, provocând o schimbare notabilă a sunetului motorului. Dacă sunetul motorului devine ascuțit și fluxul de aer/apă se oprește, goliți rezervorul.

1. Oprii aspiratorul și scoateți cablul de alimentare din priză.
2. Deschideți urechile de fixare a recipientului ⑤ și scoateți unitatea motorului ④ din rezervor.
3. Goliți conținutul rezervorului ⑥ într-un recipient adecvat sau într-un canal de scurgere.

▲ ATENȚIE! Curățați în mod regulat și verificați dacă monitorul nivelului de apă este deteriorat. Consultați figura "G".

▲ ATENȚIE! NU scoateți plutitorul cu bilă ⑭ din unitate, deoarece acesta poate deteriora aspiratorul. Plutitorul cu bilă protejează motorul de pătrunderea apei.

Înainte de a utiliza aspiratorul pentru a aspira materiale umede:

- Verificați dacă recipientul a fost golit și dacă nu este prea prăfuit.
- Scoateți filtrul ⑨ din aparat.

REVENIREA LA ASPIRAREA USCATĂ MANIPULAREA APARATULUI ("Figura A")

1. Goliți rezervorul în conformitate cu instrucțiunile prezentate la rubrica **GOLIREA REZERVORULUI**.
2. Întoarceți rezervorul cu susul în jos până când acesta este complet uscat. **NU UTILIZAȚI** rezervorul umed pentru aspirarea materialelor uscate.
3. Așezați unitatea motorului ④ pe o suprafață plană și lăsați-o să se usuce.
4. Când unitatea motorului este complet uscată, puneți la loc filtrele. Consultați secțiunea **INSTALAREA FILTRELOR**.
5. Când rezervorul este de asemenea uscat, puneți la loc unitatea motorului ④ și fixați-o cu ajutorul urechilor de fixare ⑤.

OPRIRE/MOBILIZARE ("Figura A")

1. Poziționați comutatorul de pornire/oprire ③ pe "OFF"(oprit).
2. Scoateți aparatul din priză de perete.
3. Înfășurați cablul de alimentare ② în jurul mânerului de sus/suportului de cablu ①, așa cum se arată în figură.
4. Când transportați aparatul într-un vehicul, asigurați-l întotdeauna împotriva mișcării.

MENTENANȚĂ

DEWALT este proiectat pentru o durată de viață lungă și necesită o întreținere minimă. Cu toate acestea, funcționarea continuă și corespunzătoare a aparatului depinde și de întreținerea și curățarea regulată a acestuia.

▲ AVERTISMENT: Pentru a evita deteriorarea, oprii întotdeauna aparatul și scoateți-l din priză înainte de a instala sau scoate accesorii, de a regla aparatul sau de a modifica setările. Pornirea accidentală a aparatului poate provoca vătămări corporale.

▲ AVERTISMENT: Pentru reparațiile care pot fi efectuate de către utilizator, aparatul trebuie mai întâi demontat, curățat și apoi trebuie efectuate reparațiile care pot fi efectuate în mod rezonabil fără a pune în pericol personalul de întreținere sau alte persoane. Precauțiile adecvate includ îndepărtarea murdăriei de pe aparat înainte de demontare, asigurarea ventilației prin evacuare la locul de demontare, curățarea zonei de întreținere și utilizarea unui echipament de protecție personală adecvat.

- Producătorul sau o persoană autorizată trebuie să efectueze o inspecție tehnică a aparatului cel puțin o dată pe an, inclusiv, de exemplu, verificarea faptului că filtrele nu sunt deteriorate, că garnitura de etanșare a aerului este intactă și că mecanismul de control funcționează corect.
- În timpul operațiunilor de întreținere sau de reparații, trebuie înlocuite toate accesoriile contaminate care nu au putut fi curățate în mod corespunzător. Accesoriile contaminate trebuie

să fie plasate în saci etanși, în conformitate cu reglementările locale privind eliminarea acestor deșeuri.

- În cazul aparatelor utilizate ca extractoare de praf, trebuie să se asigure un schimb de aer adecvat în încăpere dacă aerul aspirat este returnat în încăpere.

NOTĂ: Dacă este necesar, consultați reglementările locale.

FILTRU (figurile A, H și I)

ÎNGRIJIREA FILTRELOR

Filtrele aspiratorului sunt proiectate pentru o durată de viață lungă. Pentru a reduce în mod eficient cantitatea de praf care revine în aer, este important ca filtrele să fie instalate corect și în stare bună.

▲ AVERTISMENT: Când manipulați filtrele, se recomandă să purtați echipament de protecție personală, cum ar fi o mască de praf sau mănuși, adecvate sarcinii.

ÎNDEPĂRTAREA FILTRELOR

1. Rotiți comutatorul pornit/oprit ③ în poziția "OFF" (Oprit) și scoateți cablul de alimentare din priză de perete.
2. Deschideți urechile de fixare a rezervorului ⑤ și scoateți unitatea motorului ④ din rezervor. Așezați unitatea motorului ④ pe o suprafață plană și lăsați-o să se usuce.
3. Rotiți filtrele ⑨ unul câte unul în sens invers acelor de ceasornic ținând capacul de plastic de la capăt și ridicați-le cu grijă de pe unitatea motorului. În timpul acestei operațiuni, aveți grijă să nu cadă resturi în orificiul de fixare.
NOTĂ: Aveți grijă să nu deteriorați materialul filtrului în timpul operațiunii.
4. Pentru a curăța partea inferioară a unității motorului, utilizați o cârpă umezită ușor cu apă și săpun și lăsați-o să se usuce. Așezați cârpa folosită pentru curățare într-un recipient adecvat pentru deșeuri.
5. Verificați filtrele pentru uzură, rupturi și alte deteriorări.

NOTĂ: Dacă nu sunteți sigur de starea filtrului, acesta **TREBUIE ÎNLOCUIT**. Este **INTERZIS** să folosiți în continuare filtrele deteriorate.

▲ AVERTISMENT: Nu utilizați aer comprimat sau perii pentru a curăța filtrele, deoarece acestea pot deteriora membrana filtrului, provocând trecerea particulelor de praf prin filtru.

Dacă este necesar, loviți ușor filtrul de o suprafață dură, clătiți-l cu apă la temperatura camerei și lăsați-l să se usuce. De obicei, filtrele nu au nevoie să fie curățate, chiar dacă au acumulat un strat de praf. Sistemul automat de curățare a filtrului menține performanța maximă a filtrului și funcționarea continuă. În cazul în care membrana filtrului este vizibil deteriorată, înlocuiți filtrul. Un filtru poate rezista de obicei între șase și douăsprezece luni, în funcție de frecvența de utilizare și de întreținerea aparatului.

INSTALAREA FILTRELOR

1. Verificați dacă garnitura filtrului ⑬ este bine fixată.
2. Aliniați filetele filtrului ⑬ cu filetele unității motorului, apoi rotiți filtrul în sensul acelor de ceasornic cu o forță moderată până când acesta este bine fixat.
NOTĂ: Aveți grijă să nu deteriorați materialul filtrului în timpul acestei operațiuni.
3. Repoziționați unitatea motorului ④ pe rezervor și fixați-o cu ajutorul urechilor de fixare ⑤.

GOLIREA REZERVORULUI (figura "J")

▲ AVERTISMENT: Pentru a evita daunele cauzate de activarea accidentală a aparatului, scoateți aparatul din priză de perete înainte de a golii rezervorul.

1. Îndepărtați ansamblul capului de aspirare al aspiratorului uscat/ umed trăgând spre exterior de clemele de montare de pe ambele părți ale aspiratorului. 2. Ridicați ansamblul capului de aspirare din poziție.
2. Goliți conținutul rezervorului într-un recipient adecvat pentru deșeuri..

FUNCȚIA DE SUFLARE A PRAFULUI

▲ AVERTISMENT: Pentru siguranța trecătorilor, nu îndreptați resturile suflate spre aceștia.

▲ AVERTISMENT! Dacă în timpul operațiunii de suflare a prafului se generează praf inhalabil, purtați o mască de praf.

▲ AVERTISMENT! Pentru a preveni deteriorarea auzului, purtați protecție pentru urechi atunci când utilizați aspiratorul/sufiantul în mod continuu pentru perioade lungi de timp sau în zone zgomotoase.

CONECTAREA DISPOZITIVELOR (figurile "K" și "L")

1. Verificați dacă întrerupătorul principal ③ este în poziția "OFF" și dacă cablul de alimentare este deconectat de la priză de perete.
2. În continuare, aveți două opțiuni. Introduceți cablul de alimentare al aparatului în priză de perete și poziționați întrerupătorul principal ③ în poziția "ON" (I). În acest caz se va porni aspiratorul. Introduceți cablul de alimentare al aparatului în priză de perete și poziționați întrerupătorul principal ③ în poziția "ON" (I I). În acest caz se va porni dispozitivul conectat.

▲ ATENȚIONARE: Utilizați priză de ieșire a aspiratorului numai pentru a conecta un dispozitiv electric extern. Aspiratorul poate fi pornit și oprit automat de la dispozitivul conectat.

Sarcina dispozitivului conectat nu trebuie să depășească sarcina maximă admisă (PA) a prizei de ieșire a aspiratorului. Respectați, de asemenea, instrucțiunile de utilizare și avertismentele de siguranță pentru dispozitivul conectat la ieșirea aspiratorului.

RECOMANDARE: Folosiți întotdeauna aspiratorul cu un dispozitiv cu curent rezidual de maxim 200 mA sau mai puțin. Înainte de a conecta dispozitivul electric la aspirator, asigurați-vă că întrerupătorul principal al dispozitivului electric este în poziția "OFF" (Oprit). După oprirea dispozitivului electric conectat la ieșirea aspiratorului, aspiratorul va continua să funcționeze timp de aproximativ 15 secunde și apoi se va opri automat.

SIGURANȚA ELECTRICĂ

- Ștecherul dispozitivului trebuie să se potrivească în ieșire. Orice modificare a fișei este interzisă! Nu utilizați niciodată adaptoare de priză cu mașini-unelte cu împământare.** Utilizarea unei fișe nemodificate și a unei ieșiri compatibile reduce riscul de electrocutare.
- Evitați să atingeți suprafețele împământate. Acestea pot include țevi, radiatoare, aparate și răcitoare.** Dacă vă împământați propriul corp, creșteți riscul de electrocutare.
- Apa care intră în dispozitiv crește riscul de electrocutare.**
- Nu utilizați cablul de alimentare în mod neglijent. Nu folosiți cablul de alimentare pentru a transporta sau a trage dispozitivul sau pentru a deconecta cablul de alimentare de la priza de perete.** Țineți întotdeauna cablul de alimentare departe de sursele de căldură, de uleiuri, de marginile ascuțite și de piesele în mișcare. Utilizarea unui cablu de alimentare deteriorat sau încălzit crește riscul de electrocutare.
- Atunci când utilizați dispozitivul în aer liber, folosiți un prelungitor sau un tambur de cablu adecvat pentru utilizare în aer liber.** Utilizarea unui prelungitor adecvat pentru utilizare în exterior reduce riscul de electrocutare.
- Dacă dispozitivul trebuie utilizat în zone umede, utilizați o priză protejată împotriva curentului rezidual.** Utilizând un dispozitiv de protecție împotriva curentului rezidual puteți reduce riscul de electrocutare.
- Motorul electric este proiectat pentru o anumită tensiune. Verificați întotdeauna dacă tensiunea specificată pe plăcuța cu date a uneltei corespunde cu tensiunea sursei de alimentare. Dacă cablul de alimentare este deteriorat, acesta trebuie înlocuit numai de către DEWALT sau de către un service autorizat DEWALT.

ÎNLOCUIREA FIȘEI

(NUMAI ÎN MAREA BRITANIE ȘI IRLANDA)

Dacă este necesară înlocuirea fișei de alimentare:

- Asigurați-vă că vechea fișă este eliminată în mod corespunzător.
- Conectați firul maro la conectorul firului de conexiune a noii fișe.
- Conectați firul albastru la conectorul pentru firul null.
- Conectați firul galben/verde la conectorul firului de împământare.

Respectați instrucțiunile de utilizare a fișei de calitate. Siguranța recomandată: 13 A.

⚠ ATENȚIONARE: Este interzisă utilizarea unei prize de iluminat. Este interzisă conectarea firului sub tensiune (L) sau neutru (N) la borna de împământare "E".

UTILIZAREA CABLULUI PRELUNGITOR

Dacă folosiți un prelungitor, alegeți un cablu de tip 3 fire, de o dimensiune corespunzătoare consumului de energie al dispozitivului. Secțiunea transversală minimă a conductorului este de 1,5 mm²; lungimea maximă este de 30 m. Dacă folosiți un prelungitor pe un tambur de cablu, derulați-l întotdeauna complet înainte de a începe lucrul.

FUNCȚIA DE SUFLARE (figura "C")

⚠ AVERTISMENT: Pentru siguranța persoanelor aflate în apropiere, nu îndreptați resturile suflate spre acestea.

Aspiratorul are, de asemenea, o funcție de suflare a prafului. Aparatul poate îndepărta rumegușul și alte resturi cu ajutorul funcției de suflare a prafului. Aceasta poate fi utilizată pentru a sufla praful sau resturile dintr-un garaj, de exemplu, terasă sau alee. Urmați pașii de mai jos pentru a utiliza funcția de suflare a prafului.

- Localizați priza de suflare de pe aparat.
- Introduceți un capăt al furtunului de aspirare în priza de suflare.
- Comutați aparatul în poziția "ON" (pornit).

DEPOZITARE (Figura A)

- Goliți rezervorul în conformitate cu instrucțiunile prezentate la rubrica **GOLIREA REZERVORULUI**.
- Curățați interiorul și exteriorul aspiratorului. Consultați secțiunea **CURĂȚARE**.
- Curățați sau înlocuiți filtrele. Consultați secțiunea referitoare la **FILTRE**.
- Aranjați furtunul de aspirare și cablul de alimentare așa cum se arată în **figura A**. Așezați aparatul într-un loc uscat, unde persoanele neautorizate nu pot avea acces.

ACCESORII OPȚIONALE

⚠ AVERTISMENT: Accesoriile, altele decât cele recomandate de DEWALT, nu au fost testate cu acest produs și pot fi periculoase la utilizare. Pentru a reduce riscul de rănire, utilizați numai accesoriile recomandate de DEWALT cu acest produs.

CURĂȚARE

Pentru a menține exteriorul aspiratorului uscat-umed în stare bună, utilizați o cârpă umezită ușor cu apă caldă și săpun pentru a curăța regulat suprafețele exterioare ale aparatului.

Curățarea rezervorului:

- Goliți reziduurile.
- Spălați bine rezervorul cu apă caldă și săpun puțin.
- Ștergeți cu o cârpă uscată.

DEPANARE

▲ AVERTISMENT: PENTRU A REDUCE RISCUL DE RĂNIRE SAU ELECTROCUTARE DIN CAUZA PIESELOR ÎN MIȘCARE, OPRIȚI APARATUL ȘI SCOATEȚI CABLUL DE ALIMENTARE DIN PRIZA DE PERETE ÎNAINTE DE A ÎNCEPE ORICE PROCEDURĂ DE DEPANARE.

Problemele minore pot fi, de obicei, reparate pe cont propriu fără a apela la serviciul de asistență tehnică pentru clienți.

PROBLEMĂ	SOLUȚIE
Motorul nu pornește.	Verificați cablul de alimentare, fișele și priza de perete.
	Verificați dacă întrerupătorul principal este în poziția (I) "ON"(Pornit).
Puterea de aspirare scade.	Îndepărtați orice corp străin din cap, din tuburile de prelungire, din furtunul de aspirare sau de pe filtru care ar putea obstrucționa fluxul liber de aer.
	Înlocuiți sacul de praf de unică folosință.
	Verificați dacă filtrul este introdus corect.
	Curățați sau înlocuiți filtrul.
	Goliți rezervorul. Consultați " GOLIREA REZERVORULUI " la capitolul " Utilizarea aparatului ".
Aspiratorul se oprește în timpul utilizării.	<p>Întrerupătorul de protecție împotriva supraîncălzirii a fost declanșat:</p> <ol style="list-style-type: none"> 1. Opriți aspiratorul și scoateți-l din priza de perete. 2. Goliți rezervorul, dacă este necesar. 3. Așteptați până când aparatul se răcește la temperatura camerei. 4. Pentru a verifica aparatul, conectați cablul de alimentare la o priză de perete adecvată și rotiți întrerupătorul principal în poziția "ON"(Pornit).
Iese praf din aparat în timpul aspirării.	Verificați dacă filtrul este introdus corect.
	Verificați dacă filtrele nu sunt deteriorate; dacă este necesar, înlocuiți filtrul.
	Verificați dacă toate garniturile sunt la locul lor și nu se pot mișca.
	Verificați unitatea motorului.

▲ AVERTISMENT:

În cazul în care cablul de alimentare al aparatului este deteriorat, pentru a evita alte pericole, acesta trebuie înlocuit numai de către producător, de către agentul de service al producătorului sau de către o persoană cu calificare similară.

▲ AVERTISMENT:

Produsul nu trebuie utilizat pentru a detecta agenți patogeni, cum ar fi virusul care provoacă boala COVID-19. Respectați toate orientările locale, de stat sau federale pentru procedurile generale de curățare.

GARANȚIE REFERITOARE LA DISPOZITIV



DEWALT este încrezător în calitatea produselor sale și, prin urmare, oferă o garanție specială pentru utilizatorii profesioniști/industriali. Această garanție nu modifică drepturile dumneavoastră contractuale în calitate de utilizator profesional sau drepturile legale în calitate de utilizator privat, neprofesionist, ci se adaugă la acestea. Garanția este valabilă în Uniunea Europeană și în statele membre ale Spațiului Economic European. În conformitate cu Termenii și condițiile de garanție DEWALT European PT, care vă sunt disponibile la birourile DEWALT, la distribuitorii DEWALT sau pe site-ul web DEWALT www.2helpU.com, dacă produsul dumneavoastră DEWALT se defectează din cauza unor defecte de materiale sau de manoperă în termen de 36 de luni de la data achiziției, DEWALT va înlocui, la alegerea sa, fiecare piesă defectă sau întreaga unitate în mod gratuit. DEWALT își rezervă dreptul de a refuza orice cerere de garanție dacă, în opinia agentului de service autorizat, aceasta nu este conformă cu condițiile de garanție europeană DEWALT menționate. Pentru a face o cerere de garanție, vă rugăm să contactați dealerul dumneavoastră sau să vizitați cel mai apropiat centru de service DEWALT pe Internet sau din catalogul DEWALT, sau contactați biroul DEWALT la adresa indicată în manualul de utilizare. Pentru o listă a centrelor de service autorizate DEWALT și o descriere completă a serviciului nostru pentru clienți, vă rugăm să vizitați www.2helpU.com.

DEWALT EUROPEAN MACHINE TOOL (PT) GARANȚIE DE 3 ANI

Garanția DEWALT European PT pentru produsul dvs. este valabilă timp de 3 ani de la data achiziției, sub incidența următoarelor condiții.

1. Condiții generale
 - 1.1 Garanția DEWALT European PT de 3 ani se aplică utilizatorului original al produselor DEWALT achiziționate de la un distribuitor autorizat DEWALT din Europa pentru utilizarea în propria afacere sau profesie. Garanția DEWALT European PT nu se aplică persoanelor care achiziționează produse DEWALT pentru revânzare sau închiriere.
 - 1.2. Această garanție nu este transferabilă. Garanția se aplică numai utilizatorului original al produsului DEWALT care a achiziționat produsul conform descrierii de mai sus.
 - 1.3 În plus față de termenii și condițiile stabilite în acest document, se aplică termenii și condițiile Garanției europene DEWALT.
 - 1.4 Repararea sau înlocuirea în garanție nu extinde sau reînnoiește perioada de garanție. Perioada de garanție de trei ani începe la data achiziției inițiale și expiră la 36 de luni după aceea.
 - 1.5 Acest produs nu intră sub incidența Directivei DEWALT 30-1-1, care a fost retrasă la 01/01/2016.
2. Produse excluse din garanția de 3 ani DEWALT European PT. În plus față de produsele specificate în secțiunea 3 a garanției de 3 ani DEWALT European PT, următoarele produse de marcă DEWALT nu sunt acoperite:
 - Unelte pentru fixare, cum ar fi pistoale de cuie, unelte de lovit cu putere.
 - Acumulatori și încărcătoare de acumulatori.
 - Produse care au fost reparate sau recondiționate și care sunt marcate cu mențiunea "Refacere din fabrică" și/sau cu marcate suplimentare "Q".
 - Compressoare și generatoare.
3. Depunerea unei cereri de garanție
 - 3.1 Pentru a face o cerere de garanție, vă rugăm să contactați distribuitorul dvs. sau să vizitați Centrul de service DEWALT cel mai apropiat de dvs. la www.2helpU.com.
 - 3.2 Returnați aparatul DEWALT la adresa vânzătorului sau a agentului de service autorizat DEWALT, împreună cu toate piesele și dovada originală de cumpărare.
 - 3.3 DEWALT își rezervă dreptul de a respinge orice cerere de garanție dacă, în opinia agentului de service autorizat, aceasta nu poate fi considerată o defecțiune datorată unui material sau fabricație defectuoasă conform condițiilor de garanție DEWALT European PT menționate mai sus.
4. Modificarea condițiilor de garanție
 - 4.1 DEWALT își rezervă dreptul de a modifica condițiile de garanție, perioadele și produsele acoperite de garanție fără notificare prealabilă, la propria decizie a DEWALT.
 - 4.2 Termenii și condițiile de garanție DEWALT European PT în vigoare la momentul respectiv sunt disponibile la www.2helpU.com, la reprezentantul de vânzări DEWALT local sau la biroul DEWALT.

PRODUKTSPEZIFIKATIONEN

Modell	DXV20PTA
Stromversorgung	220-240 V / 50/60 Hz / 1050 W
Dichtungsdruck	15 kPa
Luftstrom	37,8 l/m ³
Behälterkapazität	20 l
Schlauch	48 mm x 2,1 m
Netzkabel	H07RN-F, 3G × 1.5mm ² / 3.05m

DIE PACKUNG ENTHÄLT

Die Packung enthält:

- 1 Luftschlauch 48 mm x 2,1 m (DXVA19-2558)
- 2 Verlängerungsrohr (DXVA19-1202)
- 1 Rundbürste (DXVA19-2400)
- 1 Nutzdüse (DXVA19-1400)
- 1 Bodendüse (DXVA19-1900D)
- 1 Einwegstaubbeutel (DXVA19-4204)
- 1 Clean Connect™-Filter (DXVC4001)
- 1 Spaltdüse (DXVA19-1300)
- 1 Die Packung enthält:
- 1 Mesh-Zubehörtasche (DXVA19-5158)
- 1 Schraubenpaket
- 4 Rollen

- Überprüfen Sie das Gerät, die Teile und das Zubehör auf mögliche Transportschäden.
- Nehmen Sie sich Zeit, um diese Anleitung vor dem Betrieb aufmerksam zu lesen und zu verstehen.

DEFINITIONEN:

SICHERHEITSRICHTLINIEN

Im Folgenden wird die Relevanz der einzelnen Warnhinweise beschrieben. Bitte lesen Sie die Anleitung und achten Sie auf diese Symbole.

▲ GEFAHR: Weist auf eine unmittelbar drohende gefährliche Situation hin, die, sofern sie nicht vermieden wird, zu tödlichen oder schweren Verletzungen führt.

▲ WARNUNG: Weist auf eine möglicherweise gefährliche Situation hin, die, sofern sie nicht vermieden wird, zu tödlichen oder schweren Verletzungen führen kann.

▲ VORSICHT! Weist auf eine möglicherweise gefährliche Situation hin, die, sofern sie nicht vermieden wird, zu leichten oder mittelschweren Verletzungen führen kann.

HINWEIS: Weist auf ein Verhalten hin, das nichts mit Verletzungen zu tun hat, aber, wenn es nicht vermieden wird, zu Sachschäden führen kann.

WICHTIGE SICHERHEITSHINWEISE

▲ WARNUNG: Bei der Verwendung von Elektrogeräten stets die grundlegenden Vorsichtsmaßnahmen beachten, um die Brand-, Stromschlag- und Verletzungsgefahr zu vermeiden, darunter Folgendes:

LESEN UND BEACHTEN SIE VOR GEBRAUCH DIESES GERÄTS ALLE ANWEISUNGEN.

▲ WARNUNG: Zum Vermeiden von Stromschlaggefahr: Keinem Regen aussetzen. Nicht im Freien lagern.

- Das Gerät nicht unbeaufsichtigt lassen, solange es an eine Stromquelle angeschlossen ist. Netzstecker abziehen wenn es nicht verwendet wird, sowie vor der Ausführung von Instandsetzungsarbeiten.
- Das Gerät darf nicht als Spielzeug verwendet werden. Wenn das Gerät von oder in der Nähe von Kindern verwendet wird, besondere Vorsicht walten lassen.
- Dieses Gerät NUR wie in der Anleitung beschrieben verwenden. Nur von DEWALT empfohlene Anbauteile verwenden.
- Dieses Gerät nicht verwenden, wenn ein Netzkabel oder der Netzstecker beschädigt ist. Wenn das Gerät nicht richtig funktioniert oder wenn es fallen gelassen, beschädigt, im Freien gelassen oder in Wasser getaucht wurde, ist es einem Kundendienstzentrum zu übergeben.
- Dieses Gerät nicht am Netzkabel ziehen oder tragen. Das Netzkabel nicht als Griff verwenden, nicht in einen Türspalt einklemmen und nicht über scharfe Kanten oder Ecken ziehen. Mit dem Gerät nicht über das Netzkabel fahren. Das Netzkabel von beheizten Flächen fernhalten.
- Nicht am Netzkabel ziehen, um den Netzstecker dieses Geräts abzuziehen. Zum Abziehen den Netzstecker fassen, nicht das Kabel
- Den Netzstecker oder das Gerät nicht mit nassen Händen anfassen.
- Keine Gegenstände in die Geräteöffnungen stecken. Das Gerät nicht verwenden, wenn Öffnungen blockiert sind. Staub, Flusen, Haare und alles, was den Luftstrom behindern kann, beseitigen.
- Haare, locker sitzende Bekleidung, Finger und alle Körperteile von Öffnungen und beweglichen Teilen fernhalten.
- Vor dem Ausstecken des Geräts alle Bedienelemente ausschalten.
- Beim Reinigen von Treppen besondere Vorsicht walten lassen.
- Das Gerät nicht verwenden, um entzündliche oder brennbare Flüssigkeiten, wie Benzin, aufzunehmen, und auch nicht in Bereichen verwenden, in denen entzündliche oder brennbare Flüssigkeiten vorhanden sind.
- In trockenen Bereichen oder bei niedriger Luftfeuchtigkeit sind Entladungen statischer Elektrizität möglich. Diese treten nur vorübergehend auf und beeinträchtigen die Verwendung des Staubsaugers nicht. Um die Häufigkeit der elektrostatischen Entladungen zu verringern, der Luft mit einem auf der Konsole installierten Befeuchter Feuchtigkeit hinzufügen oder einen Antistatikschauch (bei einigen Modellen Standard) verwenden.
- Den Behälter nach jedem Gebrauch entleeren, um spontane Entzündungen zu vermeiden.
- **▲ VORSICHT:** Dieses Gerät ist nicht für den Gebrauch durch Personen (einschließlich Kinder) bestimmt, die körperliche oder geistige

D

Behinderungen aufweisen, deren sensorische Fähigkeiten beeinträchtigt sind oder die nicht über ausreichende Erfahrung oder Kenntnisse verfügen, sofern sie nicht beaufsichtigt werden oder eine gründliche Einweisung zur Nutzung des Geräts durch eine Person erhalten haben, die für die Sicherheit dieser, damit diese nicht mit dem Gerät spielen können.

- Keine brennenden oder rauchenden Gegenstände wie Zigaretten, Streichhölzer oder heiße Asche aufnehmen.

BEWAHREN SIE DIESE ANLEITUNG AUF

ZUSÄTZLICHE SICHERHEITSHINWEISE

- Nicht zum Aufsaugen gefährlicher, giftiger oder krebserregender Materialien wie Asbest oder Pestizide verwenden.
- Niemals explosive Flüssigkeiten (z. B. Benzin, Dieselmotorenstoff, Heizöl, Farbverdünner usw.), Säuren oder Lösungsmittel aufnehmen.
- Den Staubsauger nicht ohne eingesetzte Filter verwenden, außer wie unter „Nasssauganwendungen“ beschrieben.
- Einige Holzarten enthalten Konservierungsmittel, die giftig sein können. Beim Umgang mit solchen Materialien das Einatmen und den Hautkontakt unbedingt vermeiden. Alle verfügbaren Sicherheitsinformationen von Ihrem Materiallieferanten anfordern und befolgen.
- Den Staubsauger nicht als Trittsstufe verwenden
- Keine schweren Gegenstände auf den Staubsauger legen.
- Aus Sicherheitsgründen muss ein Verlängerungskabel eine ausreichende Drahtgröße aufweisen.
- Ein für Außenbereiche zu verwendendes Verlängerungskabel muss markiert sein.

▲ **WARNUNG:**

Um Ihre Exposition gegenüber diesen Chemikalien zu minimieren, zugelassene Schutzausrüstung tragen, beispielsweise eine speziell zum Ausfiltern von mikroskopischen Staubpartikeln geeignete Atemschutzmaske. Zur leichteren Anwendung und zu Ihrer Sicherheit sind folgende Warnaufkleber auf dem Staubsauger angebracht.

AUF DEM MOTERGEHÄUSE:

▲ **WARNUNG:**

- ZUR VERMEIDUNG DES VERLETZUNGSRISIKOS MUSS DER BENUTZER DIE BETRIEBSANLEITUNG LESEN. LASSEN SIE DAS STAUBSAUGER NICHT UNBEAUFICHTIGT, WENN ES EINGESCHALTET WIRD. KEINE ENTZÜNDLICHEN, BRENNBAREN ODER HEISSEN MATERIALIEN AUFNEHMEN. NICHT IN DER NÄHE VON EXPLOSIVEM STAUB, EXPLOSIVEN FLÜSSIGKEITEN ODER DÄMPFEN VERWENDEN. ELEKTROGERÄTE ERZEUGEN LICHTBÖGEN ODER FUNKEN, DIE FEUER ODER EINE EXPLOSION HERVORRUFEN KÖNNEN. NICHT AUF TANKSTELLEN ODER AN ORTEN VERWENDEN, AN DENEN BENZIN GELAGERT IST ODER AUSGEGEBEN WIRD. KEINE GIFTIGEN ODER KREBSERREGENDEN MATERIALIEN ODER ANDERE GESUNDHEITSSCHÄDLICHE

MATERIALIEN WIE ASBEST ODER PESTIZIDE AUFSAUGEN. IMMER GEEIGNETEN AUGEN- UND ATEMSCHEUTZ TRAGEN. ZUR VERMEIDUNG VON STROMSCHLAGGEFAHR KEINEM REGEN AUSSETZEN. NICHT IM FREIEN LAGERN. BEI INSTANDHALTUNGS- ODER REPARATURARBEITEN NUR IDENTISCHE ERSATZTEILE VERWENDEN. DARF NICHT ALS TRITTSSTUFE VERWENDET WERDEN. DIESE BETRIEBSANLEITUNG AUFBEWAHREN AUSPACKEN UND EINRICHTEN ZUSAMMENFASSUNG!

BEWAHREN SIE DIESE ANLEITUNG AUF

Ziehen Sie die Deckelverschlüsse nach außen, entfernen Sie den.

1. Saugkopf und die Zubehörteile, die eventuell im Lieferumfang des Behälters enthalten sind. Befestigen Sie Hochleistungs-Gummilaufrollen wie in dieser Anleitung beschrieben.
2. Lesen Sie die Anleitung vor dem Wiederanbringen des Saugkopfes, um sicherzustellen, dass Sie die richtigen Filter für Ihren Reinigungsbetrieb eingesetzt haben.
3. Bringen Sie den Saugkopf wieder an und drücken Sie mit dem Daumen auf die einzelnen Verschlüsse, bis sie fest einschnappen. Vergewissern Sie sich, dass alle Deckelverschlüsse sicher eingerastet sind. Stecken Sie das Ende des Luftschlauchs in den Behältereinlass ein.
5. Befestigen Sie die Verlängerungsrohre am Zubehörende des Schlauchs.
6. Drücken Sie leicht darauf, bis der Anschluss fest sitzt.
7. Befestigen Sie ein Reinigungszubehörteil (je nach Ihren Reinigungsanforderungen) an den Verlängerungsrohren. Drehen Sie es leicht, um den Anschluss festzuziehen.
8. Stecken Sie das Netzkabel in die Wandsteckdose. Der Staubsauger ist jetzt einsatzbereit.

▲ **WARNUNG:**

Um die Brand- oder Explosionsgefahr zu vermeiden, betreiben Sie diesen Staubsauger nicht in Bereichen, in denen entflammare Gase, Dämpfe oder explosiver Staub in die Luft entweichen. Entflammare Gase oder Dämpfe sind u. a. jedoch nicht darauf beschränkt: Feuerzeugflüssigkeiten, Lösemittelreiniger, ölbasierte Farben, Benzin, Alkohol oder Aerosolsprays. Explosiver Staub ist u. a., jedoch nicht darauf beschränkt: Kohle-, Magnesium-, Aluminium- und Getreide- oder Schießpulver. Saugen Sie keinen explosiven Staub, entflammare oder brennbare Flüssigkeiten oder heiße Asche auf. Verwenden Sie diesen Staubsauger nicht als Sprühhilfe für entflammare oder brennbare Flüssigkeiten. Um Gesundheitsgefahren durch Dämpfe oder Staub zu vermeiden, saugen Sie keine giftigen Materialien auf.

▲ **WARNUNG:**

WARTUNG VON DOPPELT ISOLIERTEN NASS-/TROCKENSAUGERN

Bei einem doppelt isolierten Nass-/Trockensauger gibt es zwei Isolationssysteme anstelle einer Erdung. Ein doppelt isoliertes Gerät ist nicht geerdet und

D

sollte auch nicht geerdet werden. Die Wartung eines doppelt isolierten Nass-/Trockensaugers erfordert äußerste Sorgfalt und Kenntnis des Systems und sollte nur von qualifiziertem Servicepersonal durchgeführt werden. Ersatzteile für einen doppelt isolierten Nass-/Trockensauger müssen mit den Teilen, die sie ersetzen, baugleich sein. Ihr doppelt isolierter Nass-/Trockensauger ist mit den Worten „DOUBLE INSULATED“ (doppelt isoliert) gekennzeichnet, und das entsprechende Symbol (Quadrat in einem Quadrat) kann zusätzlich auf dem Gerät angebracht sein. Um das Verletzungsrisiko durch Stromschlag zu verringern, ziehen Sie das Netzkabel ab, bevor Sie die elektrischen Teile des Nass-/Trockensaugers warten.

⚠️ **WARNUNG:**

Wenn das Netzkabel beschädigt ist, muss es durch den Hersteller, seinen Kundendienst oder ähnlich qualifizierte Personen ersetzt werden, um Gefahren zu vermeiden.

⚠️ **WARNUNG:**

Ziehen Sie den Stecker aus der Steckdose, bevor Sie Wartungsarbeiten durchführen. Vergewissern Sie sich vor der Benutzung des Geräts, dass die auf dem Typenschild angegebene Frequenz und Spannung mit der Netzspannung übereinstimmen. Technische Daten und Details können ohne vorherige Ankündigung geändert werden. Das auf den Bildern gezeigte Zubehör kann von Modell zu Modell variieren.

WICHTIGE SICHERHEITSVORKEHRUNGEN

Das Symbol auf dem Produkt oder der Verpackung weist darauf hin, dass das Produkt nicht als Hausmüll behandelt werden darf. Stattdessen sollte es einer Sammelstelle für das Recycling von elektrischen und elektronischen Bauteilen übergeben werden. Indem sichergestellt wird, dass das Produkt richtig behandelt wird, können negative Auswirkungen auf Umwelt und Gesundheit vermieden werden, die entstehen können, wenn das Produkt als allgemeiner Abfall weggeworfen wird. Weitere Informationen zum Recycling erhalten Sie von den örtlichen Behörden, dem Abholservice oder der Verkaufsstelle, in der Sie die Waren gekauft haben.

UMWELTSCHUTZ



Getrennte Entsorgung. Mit diesem Symbol gekennzeichnete Produkte und Batterien/Akkus dürfen nicht im normalen Hausmüll entsorgt werden. Diese Produkte und Batterien/Akkus enthalten Materialien, die zurückgewonnen oder recycelt werden können, sodass der Rohstoffbedarf sinkt. Bitte recyceln Sie elektrische Produkte und Batterien/Akkus entsprechend den vor Ort geltenden Bestimmungen. Weitere Informationen finden Sie unter www.2helpU.com.

Beschreibung (Abb. A)

⚠️ **WARNUNG:** Es dürfen niemals Änderungen an diesem Elektrogerät oder dessen Teilen vorgenommen werden. Dies könnte zu Schäden oder Verletzungen führen.

- 1 Oberer Handgriff/Kabelaufwicklung
- 2 Netzkabel
- 3 Ein-/Aus-Schalter
- 4 Unterdruckkopf
- 5 Behälterverschluss
- 6 Behälter
- 7 Saugschlauch
- 8 Laufrollen
- 9 Clean Connect™ Filter
- 10 Schlauch mit Clip
- 11 Schlauchband
- 12 Beutel

ZUSAMMENBAU UND EINSTELLUNGEN (Abb. A-C)

⚠️ **WARNUNG:** Um Verletzungsgefahr zu vermeiden, das Gerät ausschalten und von der Stromquelle trennen, bevor Zubehörteile angebracht oder entfernt, Einstellungen vorgenommen oder geändert oder Reparaturen ausgeführt werden. Ungewolltes Auslaufen kann Verletzungen verursachen.

⚠️ **WARNUNG:** Die Filter 9 müssen beim Staubsaugen immer montiert sein, außer wie unter „Nasssauganwendungen“ im Abschnitt „Betrieb“ beschrieben.

Beim Aufsaugen von Feinstaub können Sie auch einen zusätzlichen Papier- oder Filzbeutel verwenden, um das Entleeren des Behälters zu vereinfachen.

1. Wenn ein optionaler Papier- oder Filzbeutel 12 verwendet werden soll, ist dieser gemäß Abb. B einzusetzen.

HINWEIS: Den Beutel nicht zerreißen. Den Beutel vorsichtig auf den Einlass 10 damit er richtig abdichtet und eine maximale Staubsammelleistung garantiert ist.

2. Setzen Sie den Unterdruckkopf 4 den Behälter und sichern Sie ihn durch Schließen der Behälterverschlüsse 5.
3. Stecken Sie das Schlauchende 7 den Clip im Schlauchvakuumanschluss 10 ziehen Sie das Schlauchende am Tank fest.

BETRIEB

Gebrauchsanweisungen (Abb. A, D, E)

⚠️ **WARNUNG:** Immer die Sicherheitsanweisungen und die geltenden Vorschriften beachten.

⚠️ **WARNUNG:** Um Verletzungsgefahr zu vermeiden, das Gerät ausschalten und von der Stromquelle trennen, bevor Zubehörteile angebracht oder entfernt, Einstellungen vorgenommen oder geändert oder Reparaturen ausgeführt werden. Ungewolltes Auslaufen kann Verletzungen verursachen.

D

1. Stecken Sie das Netzkabel in eine geeignete Wandsteckdose.
2. Drehen Sie den Ein-Aus-Schalter ③ auf die Position ON (I).
3. Ihr DEWALT-Baustaubabsauger ist mit dem DEWALT-Anschlussystem ausgestattet. Dies ermöglicht einen schnellen, sicheren Anschluss zwischen Saugschlauch und Elektrowerkzeug. Der Anschluss ⑬ wird direkt oder über einen Adapter (erhältlich bei Ihrem lokalen DEWALT-Lieferanten) an DeWALT-kompatible Vorrichtungen angeschlossen. Einzelheiten zu verfügbaren Adaptern finden Sie im Abschnitt „Zubehör“.
HINWEIS: Falls ein Adapter verwendet wird, sicherstellen, dass er fest am Geräteauslass befestigt ist, bevor die folgenden Schritte ausgeführt werden.

GEBRAUCHSANWEISUNGEN

Anbringen der Laufrollen (Abb. A, F)

1. Staubbehälter umkehren und mit der Laufrolle den Boden des Behälters ausrichten. Mit den mitgelieferten Schrauben befestigen.
2. Drehen Sie den Staubbehälter wieder in die aufrechte Position um.

Gebrauchten Staubsammelbehälter entfernen/wechseln (Abb. A)

▲ WARNUNG: Beim Umgang mit gebrauchten Staubbeutel muss geeignete persönliche Schutzausrüstung wie eine Atemschutzmaske und Handschuhe getragen werden.

1. Schalten Sie den Staubsauger aus und ziehen Sie den Netzstecker aus der Netzsteckdose.
2. Lösen Sie die Behälterverschlüsse ⑤ und nehmen Sie den Unterdruckkopf ④ ab.
3. Ziehen Sie den Sammelbeutel vorsichtig vom Einlass ⑩ ab.
4. Verschließen Sie die Öffnung des Sammelbehälters nach dem Abnehmen von der Maschine fest.
5. Entsorgen Sie den Sammelbehälter vorschriftsgemäß in einem geeigneten Behälter.

Nasssauganwendungen (Abb. A, G)

▲ WARNUNG: Wenn Schaum oder Flüssigkeiten aus der Maschine austreten, diese sofort ausschalten.

▲ VORSICHT: Die Wasserbegrenzungsvorrichtung regelmäßig reinigen und auf Schäden überprüfen. Siehe Abb. G.

- ▲ HINWEIS:** Schwimmerkugel ⑭ NICHT entfernen; andernfalls wird der Staubsauger beschädigt. Die Schwimmerkugel verhindert ein Eindringen von Wasser in den Motor. Vor dem Nasssaugbetrieb des Staubsaugers:
- Der Behälter muss leer und frei von übermäßigem Staub sein.
 - Filter ⑨ herausnehmen.

▲ WARNUNG: Die Maschine in dieser Einrichtung nicht für Staubklasse L verwenden.

Leeren des Behälters (Abb. A, G)

Das Schwimmerkugelventil ⑭ blockiert die Luftzufuhr zum Motor, wenn der Behälter voll ist, und das Motorgeräusch ändert sich sofort. Wenn der Klang des Motors höher wird und der Durchfluss von Luft/Wasser stoppt, entleeren Sie den Behälter.

1. Schalten Sie den Staubsauger aus und ziehen Sie den Netzstecker aus der Netzsteckdose
2. Lösen Sie die Behälterverschlüsse ⑤ und nehmen Sie den Unterdruckkopf ④ ab.
3. Leeren Sie den Inhalt des Behälters ⑥ in ein geeignetes Gefäß bzw. einen geeigneten Abfluss.

ZURÜCKRÜSTUNG AUF TROCKENEN SAUGSTAUBERBETRIEB (Abb. A)

1. Leeren Sie den Behälter, siehe Anweisungen unter „Leeren des Behälters“
2. Stellen Sie den Behälter mit der Öffnung nach unten auf, bis er trocken ist. Verwenden Sie für den trockenen Staubsaugbetrieb KEINEN feuchten Behälter.
3. Legen Sie den Unterdruckkopf ④ auf einer ebenen Fläche ab, bis er trocken ist.
4. Bauen Sie die Filter wieder ein, wenn der Unterdruckkopf ④ trocken ist. Siehe „Filter“ im Abschnitt „Wartung“.
5. Wenn der Behälter trocken ist, setzen Sie den Unterdruckkopf ④ auf den Behälter und sichern Sie ihn durch Schließen der Behälterverschlüsse ⑤.

AUSSCHALTEN/TRANSPORT (Abb. A)

1. Drehen Sie den Werkzeugschalter ③ auf die Position OFF.
2. Stecken Sie das Gerät aus.
3. Bewahren Sie das Netzkabel ② auf, indem Sie es wie abgebildet um den oberen Handgriff/die Kabelaufwicklung ① wickeln.
4. Beim Transport in Fahrzeugen sichern Sie die Maschine.

WARTUNG

▲ WARNUNG: Ihr DEWALT-Gerät wurde für langfristigen Betrieb mit minimalem Wartungsaufwand konstruiert. Ein kontinuierlicher, zufriedenstellender Betrieb hängt von der richtigen Pflege des Geräts und seiner regelmäßigen Reinigung ab.

▲ WARNUNG: Um Verletzungsgefahr zu vermeiden, das Gerät ausschalten und von der Stromquelle trennen, bevor Zubehörteile angebracht oder entfernt, Einstellungen vorgenommen oder geändert oder Reparaturen ausgeführt werden. Ungewolltes Anlaufen kann Verletzungen verursachen.

▲ WARNUNG: Bei einer Instandhaltung durch den Benutzer muss die Maschine soweit wie

D

vernünftigerweise durchführbar zerlegt, gereinigt und instandgesetzt werden, ohne dass dabei Risiken für das Wartungspersonal und andere Personen entstehen. Angemessene Sicherheitsmaßnahmen umfassen die Reinigung vor der Zerlegung, lokale Abluftfilterung am Zerlegeort, Reinigung des Wartungsbereichs und geeignete persönliche Schutzausrüstung.

- Der Hersteller oder eine unterwiesene Person führen mindestens in jährlichen Intervallen eine technische Prüfung durch, die z. B. aus einer Prüfung des Filters auf Schäden, der Luftdichtheit der Maschine sowie der ordnungsgemäßen Funktion des Steuermechanismus besteht.
- Bei der Durchführung von Instandhaltungs- oder Reparaturarbeiten sind alle verschmutzten Gegenstände, die nicht zufriedenstellend gereinigt werden können, zu entsorgen; solche Gegenstände sind in undurchlässigen Beuteln sowie gemäß allen entsprechenden Entsorgungsvorschriften zu entsorgen.
- Für Staubabsaugungen ist es erforderlich, eine ausreichende Luftaustauschrate L im Raum sicherzustellen, wenn die Abluft in den Raum zurückgeleitet wird.

HINWEIS: Hierbei sind nationale Richtlinien einzuhalten.

FILTER (Abb. A, H, I)

FILTERPFLEGE

Die in diesem Staubsauger verwendeten Filter sind Langzeitfilter. Um bei der Minimierung der Staubzirkulation effektiv sein zu, MÜSSEN die Filter richtig eingebaut und in gutem Zustand.

FILTER AUSBAUEN

1. Drehen Sie den Ein-/Aus-Schalter ③ auf die Position OFF (O) und ziehen Sie den Netzstecker aus der Steckdose.
2. Lösen Sie die Behälterverschlüsse ⑤ und nehmen Sie den Unterdruckkopf ④ vom Behälter ab. Legen Sie den Unterdruckkopf ④ umgekehrt auf einer ebenen Fläche ab.
3. Drehen Sie jeden Filter ⑨ wie dargestellt an der Kunststoffendabdeckung gegenden Uhrzeigersinn und nehmen Sie ihn vorsichtig vom Kopf ab. Achten Sie dabei darauf, dass keine Stücke in die Montageöffnung fallen.
HINWEIS: Darauf achten, das Filtermaterial nicht beschädigen.
4. Wenn die Unterseite des Unterdruckkopfes ④ gereinigt werden muss, verwenden Sie dazu ein feuchtes Tuch und milde Seife und lassen Sie den Kopf anschließend gut trocknen. Entsorgen Sie das Tuch in einen geeigneten Behälter.
5. Prüfen Sie den Filter auf Verschleiß, Risse oder andere Schäden.

HINWEIS: Bei Zweifel über den Zustand der Filter MÜSSEN diese gewechselt werden. Beschädigte Filter NICHT weiter verwenden.

▲ WARNUNG: Zur Filterreinigung niemals Druckluft oder eine Bürste verwenden, da sonst Schäden an der Filtermembran entstehen, wodurch Staub durch den Filter eindringen kann. Falls notwendig leicht gegen eine harte Oberfläche klopfen oder mit Wasser ausspülen, das Raumtemperatur hat, und an der Luft trocknen lassen. Normalerweise brauchen die Filter nicht gereinigt zu werden, selbst wenn sie mit Staub bedeckt sind. Das automatische Filterreinigungssystem sorgt für anhaltende maximale Leistungsfähigkeit, sodass weiterhin Funktions tüchtigkeit gegeben ist. Falls die Filtermembran sichtbar beschädigt ist, die Filter austauschen. Filter halten in der ung und Pflege zwischen sechs und zwölf Monate lang.

FILTER EINBAUEN

1. Die Filterdichtung ⑮ muss eingebaut und sicher befestigt sein.
2. Die Filtergewinde ⑮ zum Gewinde des Unterdruckkopfs ausrichten und den Filterhandfest im Uhrzeigersinn anziehen.
HINWEIS: Darauf achten, das Filtermaterial nicht zu beschädigen.
3. Setzen Sie den Unterdruckkopf ④ auf den Behälter und sichern Sie ihn durch Schließen der Behälterverschlüsse ⑤.

BEHÄLTER LEEREN (Abb. J)

▲ WARNUNG: Um die Verletzungsgefahr durch ungewolltes Anlaufen zu vermeiden, das Netzkabel vor dem Leeren des Staubbehälters trennen.

1. Nehmen Sie die Saugkopfbaugruppe des Nass-/Troc kenstaubsaugers ab, indem Sie die Deckelklammern auf beiden Seiten des Staubsaugers nach außen ziehen. Heben Sie die Saugkopfbaugruppe ab.
2. Leeren Sie den Behälterinhalt in einen geeigneten Abfallbehälter: disposal container.

BLASBETRIEB

▲ WARNUNG: Damit sich in der Nähe aufhaltende Personen nicht verletzt werden, diese von herumfliegenden Stücken fernhalten.

▲ VORSICHT! Eine Atemschutzmaske tragen, wenn durch die Blasfunktion Staub entsteht, der eingeatmet.

▲ VORSICHT! Um Hörschäden zu vermeiden, bei stundenlangem Betrieb des Staubsaugers/ Staubbläfers oder bei Arbeiten in lauten Umgebungen Gehörschutz tragen.

ANSCHLIESSEN DES ELEKTROWERKZEUGS (Abb. K, L)

1. Vergewissern Sie sich, dass der Steuerschalter ③ auf "Aus" steht und die Stromversorgung ist nicht angeschlossen.
2. Es gibt 2 Optionen für den nächsten Schritt:
Option 1: Schließen Sie das Werkzeug zuerst an den Staubsauger an, schließen Sie dann die Stromversorgung an und schalten Sie den Ein- /

Ausschalter ③ in die Position ON (I). Zu diesem Zeitpunkt beginnt der Staubsauger zu arbeiten.

Option 2: Verbinden Sie das Werkzeug zuerst mit dem Vakuum. Schließen Sie das Netzteil an und schalten Sie es ein / aus Steuerschalter ③ zu diesem Zeitpunkt auf ON (I I) Das Elektrowerkzeug beginnt zu arbeiten.

⚠ WARNUNG: Verwenden Sie die Steckdose des Staubsaugers Nur zum Anschluss eines externen Elektrowerkzeugs. Das Vakuum Der Reiniger wird automatisch über die Taste ein- und ausgeschaltet angeschlossenes Elektrowerkzeug.

Die Anschlussleistung des Elektrowerkzeugs darf den zulässigen Wert nicht überschreiten maximale Anschlussleistung PA des Staubsaugers Steckdose. Bitte beachten Sie auch die Bedienungsanleitung und Sicherheitswarnungen des angeschlossenen Elektrowerkzeugs die Steckdose des Staubsaugers.

EMPFEHLUNG: Betreiben Sie immer den Staubsauger über einen Fehlerstromschutzschalter (RCD) mit Bemessungsfehlerstrom Strom von 200mA oder weniger. Bitte stellen Sie sicher, dass der Elektrowerkzeugschalter auf "Aus" steht. positionieren, bevor das Werkzeug an das Vakuum angeschlossen wird. Nach dem Ausschalten ein an das Vakuum angeschlossenes Elektrowerkzeug Steckdose des Staubsaugers läuft der Staubsauger ca. 15 Sekunden und schaltet sich dann automatisch aus.

ELEKTRISCHE SICHERHEIT

1. **Der Stecker des Elektrowerkzeugs muss zur Steckdose passen. Modifizieren Sie den Stecker niemals in irgendeiner Weise. Verwenden Sie keine Adapterstecker mit geerdeten Elektrowerkzeugen.** *Unmodified plugs and matching outlets will reduce risk of electric shock.*
2. **Vermeiden Sie Körperkontakt mit geerdeten Oberflächen wie Rohren, Heizkörpern, Herden und Kühlschränken.** *Es besteht erhöhtes Risiko eines Stromschlags, wenn Ihr Körper geerdet ist.*
3. **Setzen Sie Elektrowerkzeuge weder Regen noch Nässe aus.** *Wenn Wasser in ein Elektrowerkzeug eindringt, erhöht sich das Risiko eines Stromschlags.*
4. **Verwenden Sie das Kabel bestimmungsgemäß. Benutzen Sie das Kabel niemals zum Tragen, Ziehen oder Ausstecken des Elektrowerkzeugs.** *Halten Sie das Kabel von Hitze, Öl, scharfen Kanten oder beweglichen Teilen fern. Beschädigte oder verhedderte Kabel erhöhen die Gefahr eines Stromschlags.*
5. **Verwenden Sie ein für den Außenbereich geeignetes Verlängerungskabel, wenn Sie ein Elektrowerkzeug im Freien betreiben.** *Die Verwendung eines für den Außenbereich geeigneten Kabels verringert das Risiko eines Stromschlags.*
6. **Wenn der Betrieb eines Elektrowerkzeugs in feuchter Umgebung unvermeidlich ist, verwenden Sie eine durch einen Fehlerstromschutzschalter (FI) geschützte Stromversorgung.** *Durch den Einsatz eines*

FI-Schutzschalters wird das Risiko eines Stromschlags verringert.

7. **Der Elektromotor ist nur für eine Spannung ausgelegt.** *Überprüfen Sie immer, ob die Stromversorgung mit der Spannung auf dem Typenschild übereinstimmt. Wenn das Netzkabel beschädigt ist, darf es nur von DEWALT oder einer autorisierten Serviceorganisation ersetzt werden.*

AUSTAUSCH DES NETZSTECKERS (NUR UK & IRLAND)

Wenn ein neuer Netzstecker montiert werden muss:

- Entsorgen Sie den alten Stecker sicher.
- Verbinden Sie das braune Kabel mit dem stromführenden Anschluss im Stecker.
- Schließen Sie das blaue Kabel an den Neutralleiteranschluss an.
- Schließen Sie das gelb/grüne Kabel an die Erdungsklemme an. Befolgen Sie die Montageanweisungen, die mit hochwertigen Steckern geliefert werden. *Empfohlene Sicherung: 13 A.*

⚠ WARNUNG: Verwenden Sie niemals eine Lampenfassung. Schließen Sie niemals die stromführenden (L) oder neutralen (N) Drähte an den Erdungsstift mit der Markierung E oder an.

VERWENDUNG EINES VERLÄNGERUNGSKABELS

HWenn ein Verlängerungskabel erforderlich ist, verwenden Sie ein zugelassenes 3-adriges Verlängerungskabel, das für den Stromeingang dieses Werkzeugs geeignet ist (siehe Technische Daten). Die Mindestleitergröße beträgt 1,5 mm²; die maximale Länge beträgt 30 m. Wenn Sie eine Kabeltrommel verwenden, wickeln Sie das Kabel immer vollständig ab.

BLASFUNKTION (Abb. C)

⚠ WARNUNG: Ihr Staubsauger verfügt über eine Blasfunktion. Damit können Sägespäne und andere Stücke weggeblasen werden. So lassen sich Staub und Stücke aus Garagen oder von Terrassen und Zufahrten entfernen. Führen Sie die folgenden Schritte aus, um Ihren Staubsauger als Bläser einzusetzen.

1. Suchen Sie am Staubsauger den Blasanschluss.
2. Stecken Sie ein Ende des Schlauchs in den Blasananschluss ein.
3. Schalten Sie den Staubsauger ein „ON“.

LAGERUNG (Abb. A)

1. Leeren Sie den Behälter, siehe Anweisungen zu „Leeren des Behälters“ unter „Betrieb“.
2. Reinigen Sie den Staubsauger innen und außen. Siehe Reinigung.
3. Reinigen oder ersetzen Sie die Filter, siehe „Filter“.
4. Verstauen Sie den Saugschlauch und das Netzkabel wie in der Abbildung gezeigt. Lagern Sie das Gerät in einem trockenen Raum und schützen Sie es vor unbefugter Benutzung.

OPTIONALES ZUBEHÖR

▲ WARNUNG: Da Zubehör, das nicht von DEWALT angeboten wird, nicht mit diesem Produkt geprüft worden ist, kann die Verwendung von solchem Zubehör an diesem Gerät gefährlich sein. Um die Verletzungsgefahr zu minimieren, sollte nur von DEWALT empfohlenes Zubehör mit diesem Produkt verwendet werden.

REINIGUNG

Damit Ihr Nass-/Trockensauger seine gute Optik beibehält, reinigen Sie die Außenseite mit einem mit warmem Wasser und milder Seife befeuchteten Tuch.

Reinigen des Behälters:

1. Entleeren Sie Verunreinigungen.
2. Waschen Sie den Behälter gründlich mit warmem Wasser und milder Seife aus.
3. Wischen Sie ihn mit einem trockenen Tuch aus.

FEHLERBEHEBUNG

▲ WARNUNG: ZUR VERMEIDUNG VON VERLETZUNGEN DURCH BEWEGLICHE TEILE UND/ODER STROMSCHLAG VOR DER AUSFÜHRUNG VON PRÜFUNGEN ZUR FEHLERBEHEBUNG DEN NETZSCHALTER AUF DIE POSITION „OFF“ DREHEN UND DEN NETZSTECKER AUS DER STECKDOSE ZIEHEN. Kleinere Probleme können oftmals behoben werden, ohne den Kundendienst anrufen zu müssen.

PROBLEM	LÖSUNG
Motor läuft nicht.	Netzkabel, Stecker und Steckdose prüfen.
	Der Ein-/Aus-Schalter muss sich in der Position ON (I) befinden.
Saugkapazität lässt nach.	Blockierungen in der Saugdüse, im Saugrohr, im Saugschlauch oder in den Filtern beseitigen.
	Papier- oder Filzbeutel wieder einsetzen.
	Richtigen Einbau der Filter überprüfen.
	Filter reinigen oder austauschen.
Staubsauger geht aus.	Behälter leeren, siehe „Leeren des Behälters“ unter „Betrieb“.
	Eine thermische Überlast wurde ausgelöst:
	1. Schalten Sie den Staubsauger aus und trennen Sie ihn vom Netz.
	2. Leeren Sie den Behälter, falls erforderlich.
	3. Lassen Sie das Gerät abkühlen.
4. Stecken Sie das Netzkabel in eine geeignete Steckdose und stellen Sie den Ein-/Aus-Schalter auf die Position ON (I), um das Gerät zu prüfen.	
Beim Staubsaugen tritt Staub aus.	Richtigen Einbau der Filter überprüfen.
	Die Filter dürfen nicht beschädigt sein; falls erforderlich, ersetzen.
	Die Filterdichtungen müssen eingebaut und sicher befestigt sein.
	Überprüfen Sie den Sitz des Vakuumpkopfes.

▲ WARNUNG:

Wenn das Netzkabel beschädigt ist, muss es vom Hersteller, dessen Kundendienstbeauftragten oder einer gleichermaßen qualifizierten Person ersetzt werden, um Gefahren zu vermeiden.

▲ WARNUNG:

Dieses Produkt darf NICHT zur Filterung von Krankheitserregern wie COVID-19 verwendet werden. Befolgen Sie alle lokalen, staatlichen und bundesstaatlichen Richtlinien zu allgemeinen Reinigungspraktiken.

DEWALT EUROPÄISCHE ELEKTROWERKZEUGE 3 JAHRE GARANTIE



DEWALT vertraut in die Qualität seiner Produkte und bietet professionellen Anwendern des Produkts eine hervorragende Garantie. Diese Garantieerklärung gilt als Ergänzung und unbeschadet Ihren vertraglichen Rechte als professioneller Anwender oder Ihren gesetzlichen Rechten als privater, nicht-professioneller Anwender. Die Garantie gilt im Gebiet der Mitgliedstaaten der Europäischen Union und der Europäischen Freihandelszone.

Wenn Ihr DEWALT Produkt innerhalb von 36 Monaten nach dem Kaufdatum aufgrund von Material- oder Verarbeitungsfehlern defekt wird, kann DEWALT alle defekten Teile kostenlos ersetzen oder nach eigenem Ermessen das Gerät kostenlos austauschen. Dies unterliegt den Bedingungen der DEWALT Europäischen PPT-Garantie [Garantie für professionelle Elektrowerkzeuge], die Sie bei Ihrer DEWALT Niederlassung, Ihrem Händler oder unter www.2helpU.com erhalten.

DEWALT behält sich das Recht vor, jeden Anspruch im Rahmen dieser Garantie zu verweigern, der nach Ansicht der autorisierten Reparaturstelle nicht mit den angegebenen Bedingungen der DEWALT europäischen Garantie übereinstimmt.

Wenn Sie einen Anspruch anmelden möchten, wenden Sie sich an Ihren Verkäufer oder suchen Sie die nächstgelegene autorisierte DEWALT-Reparaturwerkstatt online, im DEWALT-Katalog oder kontaktieren Sie Ihre DEWALT-Niederlassung unter der in der Bedienungsanleitung angegebenen Adresse.

Eine Liste der autorisierten DEWALT-Reparaturwerkstätten und alle Details zu unserem Kundendienst finden Sie im Internet unter: www.2helpU.com

DEWALT EUROPÄISCHE ELEKTROWERKZEUGE (EW) 3 JAHRE GARANTIE

Die Europäische Europäische EW-Garantie für Ihr Produkt beträgt 3 Jahre ab dem Kaufdatum und unterliegt den folgenden Bedingungen.

1. Allgemeine Geschäftsbedingungen
 - 1.1. Die DEWALT europäische EW 3-Jahres-Garantie gilt für den ursprünglichen Benutzer eines DEWALT-Produkts, der das Produkt von einem autorisierten europäischen DEWALT-Händler für die Verwendung im Rahmen seiner beruflichen Tätigkeit erworben hat. Die DEWALT europäische EW-Garantie gilt nicht für Personen, die DEWALT Produkte zum Zwecke des Weiterverkaufs oder der Vermietung erwerben.
 - 1.2. Diese Garantie ist nicht übertragbar. Sie gilt nur für den ursprünglichen Benutzer des DEWALT-Produkts, der das Produkt wie oben beschrieben erworben hat.
 - 1.3. Zusätzlich zu den in diesem Dokument dargelegten Geschäftsbedingungen gelten die in der DEWALT europäische EW-Garantie genannten Geschäftsbedingungen.
 - 1.4. Eine Produktreparatur oder ein Austausch im Rahmen dieser Garantie verlängert oder erneuert die Garantiezeit nicht. Die 3-jährige Garantiezeit beginnt mit dem ursprünglichen Kaufdatum und endet 36 Monate später.
 - 1.5. Dieses Produkt ist von der am 01.01.2016 zurückgezogenen DEWALT 30-1-1 Bestimmung ausgeschlossen.
2. Produkte, die von der DEWALT europäische EW 3-Jahres-Garantie ausgeschlossen sind. Zusätzlich zu den Produktausschlüssen, die im Abschnitt 3 der DEWALT europäische EW-Garantie, aufgeführt sind, sind die folgenden DEWALT Markenprodukte ebenfalls ausgeschlossen:
 - Befestigungswerkzeuge, z.B. Nagler, Pulverschlagwerkzeuge.
 - Akkus und Ladegeräte.
 - Aufbereitete oder rekonditionierte Produkte, die mit der zusätzlichen Kennzeichnung „Factory Rework“ und/oder „Q“ versehen sind.
 - Kompressoren und Generatoren.
3. Anmeldung eines Garantieanspruchs
 - 3.1. Um einen Garantieanspruch anmelden zu können, wenden Sie sich an Ihren Verkäufer oder erkundigen Sie sich nach der nächstgelegenen autorisierten DEWALT Reparaturwerkstatt unter www.2helpU.com.
 - 3.2. Das DEWALT Werkzeug muss mit allen Teilen und dem Original-Kaufbeleg an den Verkäufer oder eine autorisierte DEWALT Reparaturwerkstatt zurückgegeben werden.
 - 3.3. DEWALT behält sich das Recht vor, jeden Anspruch unter dieser Garantie abzulehnen, der nach Meinung der autorisierten Reparaturstelle nicht auf einen Material- oder Herstellungsfehler zurückzuführen ist oder nicht mit den angegebenen DEWALT europäische EW-Garantie Geschäftsbedingungen übereinstimmt.
4. Änderungen der Geschäftsbedingungen
 - 4.1. DEWALT behält sich das Recht vor, die Garantiebedingungen, die Garantiezeiträume und die Produktberechtigung ohne Vorankündigung zu überprüfen und zu ändern, wenn DEWALT dies für angemessen hält.
 - 4.2. Die aktuellen DEWALT europäische EW-Garantie Geschäftsbedingungen sind unter www.2helpU.com, bei Ihrem lokalen DEWALT Verkäufer oder in der DEWALT Niederlassung erhältlich.

SPECIFIKACIJE

Model	DXV20PTA
Napajanje	220-240 V / 50/60 Hz / 1050 W
Negativni pritisak	15 kPa
Količina vazduha	37,8 l/sek.
Kapacitet rezervoara	20 l
Crevo	48 mm x 2,1 m
Priključni kabel	H07RN-F,3G x 1.5mm ² / 3.05m

SADRŽAJ PAKOVANJA

Sadržaj pakovanja je sledeći:

- 1 cev 48 mm x 2,1 m (DXVA19-2558)
 - 2 Krute cevi (DXVA19-1202)
 - 1 Okrugla četka (DXVA19-2400)
 - 1 Osnovna glava (DXVA19-1300)
 - 1 Glava za čišćenje poda (DXVA19-1900D)
 - 1 Zamenljiva papirna kesica (DXVA19-4204)
 - 1 Clean Connect™ filter (DXVC4001)
 - 1 Sužena glava (DXVA19-1400)
 - 1 Uputstvo za upotrebu
 - 1 Džak za skladištenje (DXVA19-5158)
 - 1 Set šarafa
 - 4 Točkovi
- Proverite sastavne delove da nisu slučajno oštećeni u toku transporta.
 - Pre upotrebe pažljivo pročitajte i proučite uputstvo za upotrebu.

DEFINICIJE: BEZBEDNOSNA

UPUTSTVA

Definicije simbola u nastavku odnose se na ozbiljnost opasnosti. Molimo pročitajte uputstvo i uvek obratite pažnju kada vidite ove simbole.

▲ OPASNOST: Ukazuje na neposredno opasnu situaciju koja može dovesti do smrti ili ozbiljnih povreda.

▲ NAPOMENA: Označava potencijalno opasnu situaciju koja može dovesti do smrti ili ozbiljnih povreda.

▲ OPREZ! Označava potencijalno opasnu situaciju koja može dovesti do lakših ili umerenih povreda.

KOMENTAR: Označava praksu koja ne preti ličnim povredama i može prouzrokovati materijalnu štetu.

VAŽNA BEZBEDNOSNA UPUTSTVA

▲ NAPOMENA: Pročitajte sva bezbednosna upozorenja i uputstva kada koristite električne uređaje. Nepoštovanje bezbednosnih upozorenja i uputstava može dovesti do strujnog udara, požara i/ili ozbiljne povrede:

PROČITAJTE I UVEK PRATITE UPUTSTVO PRE UPOTREBE UREĐAJA.

▲ NAPOMENA: Da biste izbegli strujni udar, uvek budite oprezni kada koristite uređaj. Zaštitite uređaj od kiše i padavina. Čuvajte uređaj u zatvorenom prostoru.

- Ne ostavljajte uređaj bez nadzora kada je priključen na mrežni izvor napajanja. Kada više ne koristite uređaj i pre nego što ga popravite, izvucite kabel za napajanje iz utičnice.
 - Ne dozvolite deci da se igraju sa uređajem. Obratite posebnu pažnju kada koristite uređaj u blizini dece.
 - Koristite uređaj SAMO na način i za svrhe navedene u uputstvu. Koristite samo produžne elemente koje preporučuje DEWALT.
 - Ako je kabel za napajanje oštećen, nemojte koristiti uređaj! Ako uređaj ne radi ispravno, ili ako je uređaj ispao, oštećen, ostavljen napolju ili pao u vodu, odnesite ga u servisni centar.
 - Nemojte vući ili podizati uređaj za kabel za napajanje, koristiti kabel za napajanje kao ručku, zatvarati vrata na njega ili ga povlačiti oko oštih ivica i uglova. Nemojte prevrtati uređaj preko sopstvenog kabla za napajanje. Držite kabel za napajanje dalje od površina koje zrače toplotom.
 - Nikada nemojte izvlačiti uređaj iz utičnice držanjem za kabel. Kabel iz utičnice izvlačite isključivo držanjem za utikač.
 - Ne dodirujte utikač ili uređaj mokrim ili vlažnim rukama.
 - Ne stavljajte ništa u otvore uređaja. Zabranjeno je koristiti uređaj sa blokiranim otvorima za ventilaciju. Redovno čistite ventilacione otvore od prašine, dlačica koje ograničavaju protok vazduha.
 - Držite kosu, opuštenu, viseću odeću, prste i druge delove tela dalje od otvora i pokretnih delova uređaja.
 - Pre nego što isključite uređaj iz zidne utičnice, isključite sve prekidače.
 - Budite još pažljiviji nego inače kada koristite uređaj na stepenicama.
 - Nemojte koristiti uređaj za usisavanje zapaljivih tečnosti, kao što je benzin, ili u blizini zapaljivih tečnosti.
 - Na suvom mestu sa niskom vlažnošću može doći do statičkog pražnjenja. Ovo je samo privremena pojava i ne utiče na namensku upotrebu uređaja. Učestalost statičkih pražnjenja može se smanjiti pomoću nosača i ugrađenog uređaja za ovlaživanje.
- U tu svrhu možete koristiti i crevo (koje je standardni dodatak na nekim modelima).
- Da biste izbegli samozapaljenje, ispraznite posudu nakon svake upotrebe.

▲ OPREZ: Ovaj aparat mogu koristiti osobe sa smanjenim fizičkim, senzornim ili mentalnim sposobnostima, ili nedostatkom iskustva i znanja, kao i deca, samo ako im je od lica odgovornog za njihovu bezbednost dala uputstva o tome kako da koriste uređaj. Deca moraju biti pod nadzorom kako se ne bi igrala sa uređajem.

SAČUVAJTE UPUTSTVO ZA UPOTREBU**DODATNA BEZBEDNOSNA PRAVILA**

- Nemojte usisavati zapaljene ili dimljene predmete kao što su cigarete, šibice ili užareni žar.
- Nemojte usisavati zapaljive ili eksplozivne materijale kao što su ugajl, žitarice ili drugi fino mleveni zapaljivi materijali.
- Nemojte koristiti uređaj za usisavanje opasnih, toksičnih ili kancerogenih supstanci kao što su azbest ili insekticidi.
- Nikada nemojte usisavati eksplozivne tečnosti (npr. benzin, dizel, lož ulje, razređivač, itd.) ili kiseline i rastvarače.
- Ne koristite uređaj bez filtera, osim u slučajevima navedenim pod **RADOVI MOKROG USISAVANJA**.
- Određeni drveni materijali mogu sadržati toksične konzervanse. Prilikom rada sa takvim supstancama posebno vodite računa da sprečite udisanje i kontakt sa kožom toksičnih supstanci. Pitajte proizvođača materijala za dostupnu bezbednost i sledite uputstva data u njemu.
- Nemojte da stanete na usisivač.
- Ne postavljajte teške predmete na usisivač.
- Radi bezbednosti ako koristite produžni kabl, izaberite 3-žični tip veličine koja odgovara potrošnji energije uređaja.
- Ako koristite produžni kabl na otvorenom, on mora biti označen.

▲ NAPOMENA:

Da biste ograničili izlaganje hemikaliji, nosite odobrenu ličnu zaštitnu opremu, kao što je maska za prašinu koja je posebno dizajnirana da filtrira mikroskopske čestice.

NA POKLOPCU MOTORA:**▲ NAPOMENA:**

- **DA BISTE SPREČILI LIČNE POVREDE, MORATE PROČITATI UPUTSTVO ZA UPOTREBU! NE OSTAVLJAJTE USISIVAČ UKLJUČEN BEZ NADZORA. NE USISAVAJTE ZAPALJIVE, ILI VRUĆE SUPSTANCE! USISIVAČ NEMOJTE KORISTITI OKO EKSPLOZIVNE OPASNE PRAŠINE, TEČNOSTI ILI PARE! ELEKTRIČNA OPREMA MOŽE EMITOVATI LUČNO PRAŽNENJE ILI ELEKTRIČNU VARNICU, ŠTO MOŽE IZAZVATI POŽAR ILI EKSPLOZIJU. ZABRANJENO JE KORIŠĆENJE UREĐAJA NA BENZINSKIM STANICAMA ILI U BLIZINI MESTA GDE SE TOČI GORIVO. NEMOJTE USISAVATI OTROVNE ILI KANCEROGENE I ŠTETNE SUPSTANCE, KAO ŠTO SU AZBEST ILI PESTICIDI. UVEK NOSITE ODGOVARAJUĆU ZAŠTITNU OPREMU ZA OČI I ZAŠTITU DIŠNIH PUTEVA!**
- **DA BISTE IZBEGLI STRUJNI UDAR, NE KORISTITE UREĐAJ NA KIŠI! ČUVAJTE UREĐAJ U ZATVORENIM PROSTORIJAMA. PRILIKOM POPRAVKE UREĐAJA KORISTITE SAMO ORIGINALNE, FABRIČKI ZAMENSKÉ DELOVE! NE STANITE NA UREĐAJU!**

SAČUVAJTE UPUTSTVO ZA UPOTREBU**UPUTSTVO ZA UPOTREBU****KORACI RASPAKOVANJA I MONTAŽE**

1. Povucite jezičke za držanje kontejnera ka spolja. Uklonite pribor koji ste dobili uz uređaj, kao što je usisna glava.
2. Instalirajte čvrste, gumirane točkove na uređaj prema uputstvima u priručniku.
3. Kada koristite različite usisne glave, proverite uputstvo da biste bili sigurni da koristite ispravne filtere za određenu operaciju čišćenja.
4. Palcem pritisnite bravu na usisnoj glavi, a zatim povucite usisnu glavu na cev dok ne klikne. Proverite da li ste dobro zatvorili i jezičke za pričvršćivanje rezervoara.
5. Povežite kraj creva sa ulazom u rezervoar.
6. Postavite željeni pribor za proširenje na crevo. Da bi se obezbedilo čvrsto prijanjanje pribora, mora se primeniti dovoljan pritisak tokom montaže.
7. Stavite jedan od pribora za čišćenje (u skladu sa specifičnim potrebama) na pribor za spajanje (cev). Za dovoljno čvrsto prijanjanje, postavite glavu uz malu rotaciju.
8. Uključite mrežni utikač uređaja u zidnu utičnicu. Uređaj je sada spreman za upotrebu!

▲ NAPOMENA:

Da biste smanjili rizik od požara i eksplozije, nemojte koristiti uređaj za usisavanje zapaljivih gasova, isparenja ili prašine koji sa vazduhom stvaraju eksplozivnu smešu. Takvi zapaljivi gasovi ili pare mogu biti, ali nisu ograničeni na, tečnosti za upaljač, sredstva za čišćenje na bazi rastvarača, boje na bazi ulja, benzin, alkohol ili aerosolni sprejevi. Eksplozivna prašina može biti, ali nije ograničena na: ugljena prašina, prah magnezijuma, aluminijumska prašina, žitarice ili barut. Zabranjeno je koristiti za usisavanje eksplozivne prašine, zapaljivih ili zapaljivih tečnosti ili vrućeg žara! Nemojte koristiti uređaj za prskanje zapaljivih ili zapaljivih tečnosti. Da biste smanjili rizik od oštećenja zdravlja uzrokovanih raznim isparenjima ili prašinom, nemojte koristiti uređaj za apsorpciju toksičnih supstanci.

▲ UPOZORENJE:**POPRAVKA DVOSTRUKO IZOLOVANOG SUVO-MOKROG USISIVAČA**

Dvostruko izolovani suvo-mokri usisivači imaju dva sistema izolacije umesto uzemljenja. Dvostruko izolovani uređaji nemaju zaštitu od uzemljenja i nije preporučljivo dopuniti uređaj zaštitom od uzemljenja. Za popravku dvostruko izolovanog suvo-mokrog usisivača potrebna je povećana pažnja i temeljno poznavanje sistema, tako da ga može izvesti samo kvalifikovana osoba. Zamenski delovi koji se koriste za dvostruko izolovani suvo-mokri usisivač moraju u svakom pogledu biti identični delu koji se zamenjuje. Dvostruko izolovani suvo-mokri usisivač ima natpis „DUPLOJNO IZOLOVANO“ (DVOSTRUKO IZOLOVANI) i, gde je prikladno, simbol (kvadrat u kvadratu).

Da biste izbegli oštećenje usled strujnog udara, isključite uređaj iz zidne utičnice pre nego što popravite električne komponente suvo-mokrog usisivača.

▲ NAPOMENA:

Ako je kabel za napajanje uređaja oštećen, onda da biste izbegli dalje opasnosti može ga zameniti samo proizvođač, predstavnik servisa proizvođača ili slično kvalifikovano lice.

▲ UPOZORENJE:

Isključite uređaj iz zidne utičnice pre početka operacija održavanja. Pre nego što počnete da koristite uređaj, proverite da li mrežni napon odgovara vrednostima frekvencije i napona navedenim na natpisnoj pločici uređaja. Tehnički podaci su podložni promenama bez prethodne najave. Dodatna oprema prikazana na ilustracijama može se razlikovati u zavisnosti od tipa uređaja.

VAŽNE SIGURNOSNE MERE

Ovaj simbol na proizvodu ili njegovoj ambalaži znači da se na kraju njegovog životnog veka ne sme tretirati kao kućni otpad. Predajte uređaj koji je postao otpad na sabirnom mestu koje se bavi reciklažom elektronske opreme. Pravilnim odlaganjem proizvoda takođe možete doprineti negativnim uticajima na životnu sredinu i zdravlje koje bi uređaj prouzrokovao ako bi se tretirao kao opšti otpad. Pitajte lokalne vlasti ili sakupljače otpada o reciklaži kompanije ili u prodavnici u kojoj ste kupili proizvod/proizvode.

ZAŠTITA ŽIVOTNE SREDINE



Sakupite različite sirovine odvojeno. Proizvodi ili polovni predmeti koji imaju ovaj simbol, zabranjeno je tretirati ga kao opšti kućni otpad. Proizvodi i elementi sadrže materijale koji se mogu obnoviti ili reciklirati, čime se smanjuje potreba za sirovinama. Uvek se pridržavajte lokalnih zakona kada reciklirate električne uređaje i baterije. Za više informacija posetite sledeću Web lokaciju: www.2helpU.com.

UVOD (skica "A")

▲ UPOZORENJE: Zabranjena je svaka modifikacija opreme mašine i njenih delova! Izmene mogu prouzrokovati telesne povrede ili materijalnu štetu.

- 1 Gornja drška / držač kabela
- 2 Napojni kabel
- 3 Prekidač za Uklj./Isklj.
- 4 Motorna jedinica
- 5 Ušice za fiksiranje
- 6 Rezervoar
- 7 Usisna cev
- 8 Točkovi
- 9 Clean Connect™ filter
- 10 Ulaz cevi
- 11 Stega za cev
- 12 Zamenljiva papirna kesa

SKLAPANJE I PODEŠAVANJE

UREĐAJA (od skice "A" do skice "C")

▲ UPOZORENJE: Da biste izbegli povrede, uvek isključite uređaj i isključite ga iz zidne utičnice pre nego što priključite ili uklonite dodatnu opremu, podesite uređaj ili promenite podešavanje. Slučajno aktiviranje uređaja može čak izazvati ličnu povredu.

▲ UPOZORENJE: Uvek koristite filter za usisavanje, osim u slučajevima koji su navedeni pod **MOKRO USISAVANJE u poglavlju o rukovanju uređajem** 9.

Kada usisavate sitnu prašinu, možda će vam trebati i vreća za prašinu za jednokratnu upotrebu, koja olakšava pražnjenje kontejnera.

1. Postavite vreću za prašinu za jednokratnu upotrebu 12 u uređaj prema skici "B".
KOMENTAR: Uverite se da se vreća za prašinu ne pocepa tokom rada. Za najbolje moguće hermetičko zaptivanje - a time i efikasniji efekat usisavanja - stavite kesu na ulaz creva 10 tako da se ne može pomeriti.
2. Postavite jedinicu motora 4 nazad na rezervoar i pričvrstite je jezičcima za pričvršćivanje 5.
3. Povežite kraj creva 7 na ulaz creva 10 i čvrsto ga pričvrstite za rezervoar.

UPOTREBA UREĐAJA

UPUTSTVO ZA UPOTREBU (skica A, D, E)

▲ UPOZORENJE: Uvek se pridržavajte bezbednosnih instrukcija i važećih propisa.

1. Uključite mrežni utikač uređaja u zidnu utičnicu.
2. Prekidač za Uklj./Isklj. 3 postavite u "ON" (Ulj.) položaj (!).
3. DEWALT usisivač građevinskog otpada takođe ima DEWALT sistem za povezivanje. Ovim se crevo 7 i električni alat mogu brzo i sigurno povezati. Utičnica 13 se povezuje direktno sa DEWALT kompatibilnim alatom pomoću adaptera (prodaje se posebno kod vašeg lokalnog DEWALT prodavca). Za skalpanje adaptera pogledajte skicu "E".

NAPOMENA: Ako koristite adapter, uverite se da adapter dobro stoji na izlazu alata pre nego što pređete na korake u nastavku.

UPUTSTVO ZA UPOTREBU

MONTAŽA TOČKOVA (skice "A" i "F")

1. Okrenite posudu naopako, zatim montirajte i pričvrstite točkove na dno posude vijcima.
2. Vratite rezervoar u normalan položaj.

ODSTRANJIVANJE I ZAMENA PAPIRNE KESE ZA JEDNOKRATNU UPOTREBU (skica "A")

▲ UPOZORENJE: Prilikom rukovanja vrećom za prašinu preporučuje se upotreba lične zaštitne opreme koja odgovara zadatku, kao što su maska za prašinu ili rukavice.

1. Isključite usisivač i izvucite kabl za napajanje iz utičnice.
2. Otvorite jezičke za pričvršćivanje rezervoara 5 i uklonite jedinicu motora 4 iz rezervoara.
3. Pažljivo izvucite vreću za prašinu za jednokratnu upotrebu 12 kroz ulaz za crevo 10.
4. Dobro zatvorite otvor vreće za prašinu za jednokratnu upotrebu 12 pre nego što je izvadite iz mašine.
5. Kesa za prašinu za jednokratnu upotrebu 12 mora se staviti u kontejner za sakupljanje koji je u skladu sa relevantnim zakonskim propisima.

RADOVI MOKROG USISAVANJA (skica "A" i "G")

▲ UPOZORENJE: Odmah isključite uređaj ako iz njega curi penasti materijal ili tečnost.

▲ UPOZORENJE: Za prašinu klase L, nemojte koristiti ovaj uređaj u ovoj konfiguraciji. Kada je rezervoar pun, kuglični plovak 14 blokira protok vazduha do motora, uzrokujući primetnu promenu u zvuku motora. Ako motor postane pištav i protok vazduha/vode prestane, ispraznite rezervoar.

1. Isključite usisivač i izvucite kabl za napajanje iz utičnice.
2. Otvorite jezičke za pričvršćivanje rezervoara 5 i uklonite jedinicu motora 4 iz rezervoara.
3. Ispraznite sadržaj rezervoara 6 u odgovarajuću posudu ili odvod.

▲ OPREZ! Redovno čistite i proveravajte da li je uređaj za praćenje nivoa vode oštećen. **Skica "G"**.

PAŽNJA: ZABRANJENO je skidati kuglični plovak 14 sa uređaja, jer to može oštetiti usisivač. Kuglični plovak štiti motor od ulaska vode.

A golyós úszó védi a motort a víz bejutása ellen.

Pre upotrebe usisivača da pokupite mokri materijal:

• Proverite da li je posuda ispraznjena i da nije previše prašnjava.

• Uklonite filter 9 iz uređaja.

PONOVA POSTAVKA NA SUVO USISAVANJE

RUKOVANJE UREĐAJEM (skica "A")

1. Ispraznite rezervoar prema uputstvima datim pod **PRAŽNENJE REZERVOARA**.
2. Okrenite posudu naopako dok se potpuno ne osuši. **NEMOJTE** koristiti mokru posudu za sakupljanje suvog materijala.
3. Postavite jedinicu motora 4 na ravnu površinu i ostavite da se osuši.
4. Kada se motorna jedinica potpuno osuši, zamenite filtere. Pogledajte **POSTAVLJANJE FILTERA**.

5. Ako je i rezervoar suv, vratite motornu jedinicu 4 na nju i pričvrstite je jezičcima za pričvršćivanje 5.

ZAUSTAVLJANJE/TRANSPORT (skica "A")

1. Prekidač 3 za Uklj./Isklj. postavite u položaj "OFF" (Isklj.).
2. Izvucite utikač za napajanje iz zidne utičnice.
3. Namotajte kabl za napajanje 2 na gornju ručku / stezaljku kabla 1 kao što je prikazano na slici.
4. Prilikom transporta u vozilu, uvek osigurajte uređaj kako biste sprečili njegovo pomeranje.

ODRŽAVANJE

DEWALT alati su dizajnirani za dug vek i zahtevaju samo minimalno održavanje. Međutim, kontinuiran i pravilan rad uređaja zavisi i od održavanja i redovnog čišćenja uređaja.

▲ UPOZORENJE: Da biste izbegli povrede, uvek isključite uređaj i isključite ga iz zidne utičnice pre nego što instalirate ili uklonite dodatnu opremu, podesite uređaj ili promenite bilo koja podešavanja. Slučajno aktiviranje uređaja može čak izazvati ličnu povredu.

▲ UPOZORENJE: Za popravke koje može da servisira korisnik, uređaj prvo mora biti rastavljen, očišćen, a popravke koje su razumno izvodljive moraju se izvršiti bez ugrožavanja osoblja za održavanje ili drugih. Odgovarajuće mere predostrožnosti uključuju uklanjanje nečistoća sa uređaja pre rastavljanja, obezbeđivanje izduvne ventilacije na mestu demontaže, čišćenje prostora za održavanje i korišćenje odgovarajuće lične zaštitne opreme.

- Proizvođač ili ovlašćeno lice dužno je da najmanje jednom godišnje izvrši tehnički pregled uređaja koji obuhvata, na primer, proveru neoštećenog stanja filtera, vazdušne zaptivke i ispravnog rada upravljačkog mehanizma.
- Tokom operacija održavanja ili popravke, svi zaprljani dodaci koji se nisu mogli adekvatno očistiti moraju biti zamenjeni. Prljavi pribor se mora staviti u vodootporne kese u skladu sa važećim lokalnim propisima za tretman ove vrste otpada.
- Kod usisivača koji se mogu koristiti za odprašivanje, mora se obezbediti odgovarajuća zamena vazduha u prostoriji ako se izvršeni vazduh vraća u prostoriju.

NAPOMENA: Po potrebi proverite lokalne propise.

FILTER (skica "A", "H" i "I")

ODRŽAVANJE FILTERA

Filteri usisivača su dizajnirani za dug radni vek. Da bi se efikasno smanjila količina prašine koja se vraća u vazduh, važno je da su filteri pravilno umetnuti u uređaj i da su u dobrom stanju..

▲ UPOZORENJE: Prilikom rukovanja filterima preporučuje se upotreba lične zaštitne opreme koja odgovara zadatku, kao što su maska za prašinu ili rukavice.

VAĐENJE FILTERA

1. Prekidač **3** za Uklj./Isklj. postavite u položaj "OFF" (Isklj.) (O) i priključni kabel izvucite iz utičnice.
2. Otvorite jezičke za pričvršćivanje rezervoara **5** i uklonite jedinicu motora **4** iz rezervoara. Postavite jedinicu motora **4** na ravnu površinu i ostavite da se osuši.
3. Držite plastični poklopac i okrenite filtere **9** u smeru suprotnom od kazaljke na satu jedan po jedan, a zatim ih pažljivo podignite sa jedinice motora. Tokom rada, uverite se da ostaci ne padnu u otvor za pričvršćivanje.
NAPOMENA: Pazite da ne oštetite materijal filtera tokom ove operacije.
4. Da biste očistili donju stranu jedinice motora, koristite krpu navlaženu vodom i blagim sapunom i ostavite da se osuši. Krpu koju ste koristili za čišćenje stavite u odgovarajući kontejner za otpad.
5. Proverite da li su filteri istrošeni, polomljeni i ima druga oštećenja.
NAPOMENA: Ako niste sigurni u ispravno stanje filtera, taj filter MORA BITI ZAMENJEN. Oštećeni filteri se NE smeju dalje koristiti.

▲ UPOZORENJE: Zabranjeno je koristiti komprimovani vazduh ili četku za čišćenje filtera, jer oni mogu oštetiti membranu filtera i uzrokovati prolazak čestica prašine kroz filter.

Ako je potrebno, lagano udarite filter o tvrdu površinu, zatim isperite vodom sobne temperature i ostavite da se osuši. Filteri obično ne moraju da se čiste, čak i ako se na njima stvorio sloj prašine. Automatski sistem za čišćenje filtera održava maksimalne performanse filtera i kontinuirani rad. Ako postoji vidljivo oštećenje membrane filtera, zamenite filter. Svaki filter se obično može koristiti šest do dvanaest meseci, u zavisnosti od učestalosti upotrebe i održavanja uređaja.

POSTAVLJANJE FILTERA

1. Proverite da li je zaptivka filtera **15** dobro postavljena.
2. Poravnajte navoje filtera **16** sa navojima sklopa motora, a zatim okrenite filter u smeru kazaljke na satu sa umerenom silom dok čvrsto ne nalegne.
NAPOMENA: Pazite da ne oštetite materijal filtera tokom ove operacije.
3. Postavite jedinicu motora **4** nazad na rezervoar i pričvrstite je jezičcima za pričvršćivanje **5**.

PRAZNJENJE REZERVOARA (skica "J")

▲ UPOZORENJE: Da biste izbegli štetu uzrokovanu slučajnim uključivanjem uređaja, isključite uređaj iz zidne utičnice pre nego što ispraznite rezervoar.

1. Uklonite sklop usisne mlaznice mokr-suvo tako što ćete povući držače na obe strane usisivača ka spolja. Podignite sklop mlaznice sa mesta.
2. Ispraznite sadržaj kontejnera u odgovarajući kontejner za sakupljanje otpada.

FUNKCIJA DUVANJA PRAŠINE

▲ UPOZORENJE: Radi bezbednosti prolaznika, ne usmeravajte na njih otpatke koje duvate.

▲ OPREZ! Ako se tokom duvanja prašine stvara prašina koja se može udahnuti, nosite masku za prašinu.

▲ OPREZ! Da biste sprečili oštećenje sluha, nosite zaštitu za uši kada neprekidno koristite usisivač/duvavač tokom dužeg vremenskog perioda ili na bučnim mestima.

POSTAVLJANJE ELEKTRIČNOG ALATA (skica "K" i "L")

1. Proverite da li je glavni prekidač **3** u položaju „OFF“ (Isklj.) i da li je kabel za napajanje uređaja izvučen iz zidne utičnice.
2. U sledećem koraku možete izabrati dve opcije: Priključite kabel za napajanje uređaja u zidnu utičnicu i postavite glavni prekidač **3** u položaj „ON“ (Uklj.) (I). U ovom slučaju, usisivač se uključuje. Uključite kabel za napajanje uređaja u zidnu utičnicu i postavite glavni prekidač **3** u položaj „ON“ (Ulj.) (II): na ovaj način priključeni alat će da pokreće usisivač.

▲ NAPOMENA: Koristite izlazni konektor usisivača isključivo za povezivanje eksternog električnog alata. Usisivač se može automatski uključiti i isključiti sa priključnom električnom mašinom.

Opterećenje priključene mašine ne sme da pređe maksimalno dozvoljeno opterećenje (PA) izlaznog konektora usisivača. Takođe poštujujte uputstva za upotrebu i bezbednosna upozorenja za mašinu koja je priključena na izlaz usisivača.

SAVET: Uvek koristite usisivač sa zaštitnim uređajem od maksimalno 200 mA ili manje. Pre nego što povežete mašinu sa usisivačem, proverite da li je glavni prekidač mašine u položaju "OFF". Nakon isključivanja električnog alata priključenog na utičnicu usisivača, usisivač će nastaviti da radi pribl. 15 sekundi, a zatim se automatski isključuje.

ELEKTRIČNA BEZBEDNOST

1. **Utikač alatne mašine mora da stane u utičnicu. Svaka modifikacija utikača je zabranjena! Nikada ne koristite priključne adaptere sa uzemljenim električnim alatima.** Korišćenje neizmenjenog utikača i kompatibilne utičnice smanjuje rizik od strujnog udara.
2. **Izbegavajte dodirivanje uzemljenih površina. To mogu biti cevovodi, radijatori, uređaji i hladnjaci.** Ako uzemljite sopstveno telo, rizik od strujnog udara je veći.
3. **Zaštitite mašinu od padavina i vlažnog okruženja.** Voda koja ulazi u mašinu povećava rizik od strujnog udara.
4. **Nemojte nepažljivo koristiti kabel za napajanje. Nemojte koristiti kabel za napajanje za nošenje uređaja, povlačenje ili isključivanje električnog alata iz zidne utičnice.** Uvek držite kabel za napajanje dalje od izvora toplotne, ulja, oštrih ivica i pokretnih delova. Korišćenje oštećenog ili zapetljanog kabla za napajanje povećava rizik od strujnog udara.

- Ako mašinu koristite na otvorenom, koristite produžni kabl ili bubanj za kablove koji je pogodan za spoljašnju upotrebu.** Korišćenje produžnog kabla pogodnog za upotrebu na otvorenom smanjuje rizik od strujnog udara.
- Ako morate da koristite mašinu na vlažnom mestu, koristite utičnicu zaštićenu od zaostale struje.** Rizik od strujnog udara se smanjuje korišćenjem uređaja za zaštitu od diferencijalne struje.
- Elektromotor je dizajniran za određeni napon. Uvek proverite da li napon naveden na natpisnoj pločici alata odgovara naponu izvora napajanja. Ako je kabl za napajanje oštećen, može ga zameniti samo DEWALT ili ovlašćeni DEWALT servisni centar.

ZAMENA UTIKAČA ZA NAPAJANJE (SAMO UJEDINJENO KRALJEVSTVO I IRSKA)

Ako je potrebno zameniti utikač:

- Propisno odložite stari utikač.
- Povežite braon žicu sa kontakton utikača za napajanje.
- Plavu žicu povežite sa kontaktom neutralne žice.
- Povežite žutu/zelenu žicu na kontakt žice za uzemljenje.

Pratite uputstva za upotrebu kvalitetnog utikača. Preporučeni osigurač: 13 A.

▲ NAPOMENA: Zabranjeno je koristiti konektor koji se koristi za lampe bez uzemljenja. Zabranjeno je spajanje žice pod naponom (L) ili neutralne (N) na konektor za uzemljenje označen sa "E".

UPOTREBA PRODUŽNOG KABELA

Ako koristite produžni kabl, izaberite 3-žični tip veličine koja odgovara potrošnji energije električnog alata koji je povezan. Prečni kabela treba da je 1,5 mm² i maksimalne dužine 30 m. Ako koristite produžni kabl na bubnju za kablove, uvek ga potpuno odmotajte pre početka rada.

FUNKCIJA DUVANJA (skica "C")

▲ UPOZORENJE: Radi bezbednosti prolaznika, ne usmeravajte na njih otpatke koje duvate.

Usisivač takođe ima funkciju izduvavanja prašine. Uređaj može ukloniti piljevinu i druge ostatke pomoću funkcije izduvavanja prašine. Ovo se može koristiti za izbacivanje prašine ili ostataka iz, na primer, garaže, sa terase ili prilaza. Pratite dole navedene korake da biste koristili funkciju izduvavanja prašine uređaja.

- Pronađite izlaz za ventilator na uređaju.
- Umetnite jedan kraj usisnog creva u izlaz za duvaljku.
- Prekidačem uključite uređaj "ON" (Uklj.).

SKLADIŠTENJE (skica A)

- Ispraznite rezervoar prema uputstvima datim pod **PRAZNJENJE REZERVOARA**.
- Očistite usisivač iznutra i spolja. Pogledajte **ČIŠĆENJE**.
- Očistite ili zamenite filtere. Vidi **FILTERI**.
- Postavite usisno crevo i kabl za napajanje kao što je prikazano na **skici "A"**. Postavite uređaj u suvu prostoriju gde neovlašćena lica ne mogu da mu pristupe.

OPCIONI PRIBOR

▲ UPOZORENJE: Dodatna oprema koja nije preporučena od strane DEWALT-a nije testirana sa proizvodom, njihova upotreba može biti opasna. Da biste smanjili rizik od povreda, koristite samo dodatnu opremu koju DEWALT preporučuje za ovaj proizvod.

ČIŠĆENJE

Da biste održali ispravno spoljašnje stanje suvo-mokrog usisivača, redovno čistite spoljašnje površine uređaja krpom navlaženom toplom vodom i blagim sapunom.

Čišćenje rezervoara:

- Praznjenje otpadaka.
- Temeljno operite posudu toplom vodom i blagim sapunom.
- Obrišite suvom krpom.

REŠAVANJE PROBLEMA

▲ UPOZORENJE: DA BISTE SMANJILI RIZIK OD POVREDE OD POKRETNIH DELOVA ILI STRUJNOG UDARA, ISKLJUČITE JEDINICU I IZVUCITE KABL ZA NAPAJANJE IZ ZIDNE UTIČNICE PRE NEGO ŠTO ZAPOČNETE REŠAVANJE KVARA.

Manji problemi se obično mogu popraviti samostalno, bez posete korisničkoj službi.

PROBLEM	REŠENJE
Motor se ne pokreće.	Proverite kabl za napajanje, utikače i zidnu utičnicu.
	Proverite da li je prekidač u "ON" (Uklj.) položaju (1).
Snaga usisavanja se smanjuje.	Uklonite strane predmete koji ometaju slobodan protok vazduha iz glave, produžetaka, usisnog creva ili filtera.
	Zamenite vreću za prašinu za jednokratnu upotrebu.
	Proverite da li je filter pravilno umetnut.
Usisivač se zaustavlja tokom upotrebe.	Očistite ili zamenite filter.
	Ispraznite kontejner. Pogledajte „PRAZNJENJE REZERVOARA“ u poglavlju „Korišćenje uređaja“.
Tokom usisavanja, prašina napušta uređaj.	Prekidač za zaštitu od pregrevanja je aktiviran: 1. Isključite usisivač i isključite ga iz zidne utičnice. 2. Ispraznite rezervoar ako je potrebno. 3. Sačekajte da se uređaj ohladi na sobnu temperaturu. 4. Da biste proverili uređaj, uključite kabl za napajanje u odgovarajuću zidnu utičnicu i postavite glavni prekidač u položaj "ON" (Uklj.).
	Proverite da li je filter pravilno umetnut.
	Proverite da filteri nisu oštećeni; zamenite filter ako je potrebno.
	Proverite da li su sve zaptivke na mestu i da se ne mogu pomeriti.
	Proverite jedinicu motora.

▲ UPOZORENJE:

Ako je kabel za napajanje uređaja oštećen, može ga zameniti samo proizvođač, predstavnik servisa proizvođača ili slično kvalifikovana osoba kako bi se izbegle dalje opasnosti.

▲ UPOZORENJE:

Proizvod se ne može koristiti za filtriranje patogena, kao što je virus koji izaziva bolest COVID-19. Pridržavajte se svih lokalnih, državnih ili saveznih smernica za opšte procedure čišćenja.

GARANCIJA NA ALAT

DEWALT veruje u kvalitet sopstvenih proizvoda, zbog čega nudi vrhunsku garanciju za profesionalne/ industrijske korisnike proizvoda. Garancija ne menja vaša ugovorna prava kao profesionalnog korisnika ili vaša zakonska prava kao individualnog, neprofesionalnog korisnika, već ih dopunjuje. Ova garancija važi na teritoriji država članica Evropske unije. Pod uslovima DEWALT evropske PT garancije, koja vam je takođe dostupna u DEWALT kancelarijama, dilerima ili na veb stranici www.2helpU.com, ako vaš DEWALT proizvod pokvari zbog greške u materijalu ili izradi u roku od 36 meseci od datuma kupovine, zatim prema sopstvenom nahođenju DEWALT-a u skladu sa, obezbeđuje zamenu svih neispravnih delova ili cele jedinice besplatno.

DEWALT zadržava pravo da odbije reklamaciju ukoliko, na osnovu mišljenja ovlašćenog servisa, ne poštuje navedene uslove DEWALT evropske garancije. Da biste podneli zahtev za garanciju, kontaktirajte svog prodavca ili posetite najbliži DEWALT servisni centar na mreži ili iz DEWALT kataloga ili posetite DEWALT kancelariju na adresi navedenoj u uputstvu za upotrebu. Spisak ovlašćenih DEWALT servisnih usluga i kompletan opis naše korisničke službe možete pronaći na sledećoj veb stranici: www.2helpU.com.

3 GODINE GARANCIJE NA DEWALT EVROPSKI ALAT (PT)

DEWALT evropska PT garancija za vaš proizvod važi 3 godine od datuma kupovine prema dole navedenim uslovima.

1. Opšti uslovi

- 1.1. DEWALT evropska PT 3-godišnja garancija važi za originalnog korisnika DEWALT proizvoda koji je kupio proizvode od ovlašćenog DEWALT evropskog distributera za upotrebu u svojoj trgovini ili profesiji. DEWALT evropska PT garancija ne važi za osobe koje kupuju DEWALT proizvod za preprodaju ili iznajmljivanje.
- 1.2. Ova garancija nije prenosiva. Garancija se odnosi samo na originalnog korisnika DEWALT proizvoda koji je kupio proizvod, kao što je gore opisano.
- 1.3. Pored uslova opisanih u ovom dokumentu, važe i uslovi DEWALT evropske garancije.
- 1.4. Popravka ili zamena pod garancijom ne produžava niti obnavlja garantni rok. Garantni rok od tri godine počinje od datuma prvobitne kupovine i završava se 36 meseci nakon toga.
- 1.5. Ovaj proizvod nije obuhvaćen polisom DEWALT 30-1-1, koja je povučena 01.01.2016.

2. Proizvodi isključeni iz DEWALT evropske PT 3-godišnje garancije. Pored proizvoda navedenih u odeljku 3 DEWALT evropske PT 3-godišnje garancije, sledeći proizvodi brenda DEWALT takođe nisu pokriveni garancijom: Alati za pričvršćivanje, kao što su ekseri, mašinski udarni alati. Baterije i punjači baterija.

Restaurirani ili obnovljeni proizvodi sa oznakom "Factory rework" (Fabrička prerada) i/ili „K". Kompresori i generatori.

3. Podnošenje zahteva za garanciju

- 3.1. Da biste podneli zahtev za garanciju, kontaktirajte svog prodavca ili pronađite najbliži DEWALT servisni centar na www.2helpU.com.
- 3.2. Vratite DEWALT alat na adresu prodavca ili ovlašćenog DEWALT servisnog centra zajedno sa svim delovima i originalnim dokazom o kupovini.
- 3.3. DEWALT zadržava pravo da odbije reklamaciju ako se, na osnovu mišljenja ovlašćenog servisa, ne može smatrati kvarom zbog greške u materijalu ili proizvodne greške u skladu sa gore navedenim DEWALT evropskim uslovima garancije PT

4. Izmena uslova garancije

- 4.1. DEWALT zadržava pravo da promeni uslove garancije, periode i proizvode garancije bez prethodnog obaveštenja po sopstvenom nahođenju DEWALT-a.
- 4.2. Aktuelni DEWALT evropski PT uslovi garancije su dostupni na www.2helpU.com, kod vašeg lokalnog DEWALT distributera ili DEWALT kancelarije.

SPECIFIKACIJE PROIZVODA

Model	DXV20PTA
Napajanje	220-240 V / 50/60 Hz / 1050 W
Negativni tlak	15 kPa
Zračni prijevoz	37,8 l/mp
Kapacitet spremnika	20 l
Crijevo	48 mm x 2,1 m
Kabel za napajanje	H07RN-F,3G x 1.5mm ² / 3.05m

SADRŽAJ PAKETA

Sadržaj paketa je sljedeći:

- 1 crijevo od 48 mm x 2,1 m (DXVA19-2558)
- 2 produžne noge (DXVA19-1202)
- 1 okrugla četka (DXVA19-2400)
- 1 opća glava (DXVA19-1300)
- 1 glava za čišćenje poda (DXVA19-1900D)
- 1 jednokratna vrećica za prašinu (DXVA19-4204)
- 1 filter Clean Connect™ (DXVC4001)
- 1 uska glava (DXVA19-1400)
- 1 upute za uporabu
- 1 torba za pohranjivanje pribora (DXVA19-5158)
- 1 set vijaka
- 4 valjka

- Provjerite stanje alata, dijelova ili pribora kako biste bili sigurni da se nisu oštetili tijekom transporta.
- Prije početka uporabe uređaja pažljivo pročitajte i protumačite priručnik.

DEFINICIJE: SIGURNOSNE UPUTE

Definicije u nastavku odnose se na ozbiljnost opasnosti povezane sa svakom signalnom riječi. Pročitajte priručnik i uvijek obratite pozornost kada vidite ove simbole.

▲ OPASNOST: Označava neposrednu opasnu situaciju koja može dovesti do smrti ili ozbiljne ozljede.

▲ UPOZORENJE: Označava potencijalno opasnu situaciju koja može dovesti do smrti ili ozbiljne ozljede.

▲ OPREZI! Označava potencijalno opasnu situaciju koja može dovesti do manje ili srednje teške ozljede.

NAPOMENA: Označava praksu koja nije povezana s tjelesnim ozljedama i može uzrokovati materijalnu štetu.

VAŽNE SIGURNOSNE UPUTE

▲ UPOZORENJE: Pročitajte sva sigurnosna upozorenja i upute pri korištenju električnih uređaja. Nepoštivanje sigurnosnih upozorenja i uputa može dovesti do strujnog udara, požara i/ili ozbiljne ozljede:

PROČITAJTE I UVIJEK SLJEDITE UPUTE PRIJE UPOTREBE UREĐAJA.

- ▲ UPOZORENJE:** Kako biste izbjegli strujni udar, uvijek budite oprezni kada koristite uređaj. Zaštitite uređaj od kiše i vlage. Čuvajte uređaj u zatvorenom prostoru.
- Ne ostavljajte uređaj bez nadzora kada je priključen na izvor napajanja. Kada više ne koristite uređaj i prije popravka uređaja, izvucite utikač iz utičnice.

- Ne dopustite djeci da se igraju s uređajem. Budite pažljivi kada koristite uređaj u blizini djece.
 - Koristite uređaj ISKLJUČIVO na način i u svrhu koja je navedena u priručniku. Koristite samo produžne elemente koje preporučuje DEWALT.
 - Ako je strujni kabel oštećen, nemojte koristiti uređaj! Ako uređaj ne radi ispravno, ili ako je uređaj pao, oštećen, ostavljen vani ili je pao u vodu, odnesite ga u servisni centar.
 - Nemojte povlačiti ili podizati uređaj za kabel za napajanje, koristiti kabel za napajanje kao ručku, zatvarati vrata na njega ili ga povlačiti oko oštih rubova i kutova. Ne kotrljajte uređaj preko vlastitog kabela za napajanje. Kabel za napajanje držite dalje od površina koje zrače toplinom.
 - Nikada nemojte izvlačiti uređaj iz utičnice držeći ga za kabel. Kabel za napajanje iz zidne utičnice uvijek povucite za utikač.
 - Nemojte dirati utikač ili uređaj mokrim rukama.
 - Ne stavljajte ništa u otvore uređaja. Zabranjeno je koristiti uređaj sa začepljenim ventilacijskim otvorima. Redovito čistite ventilacijske otvore od prašine, dlaka ili kose koje ograničavaju protok zraka.
 - Držite kosu, labavu odjeću koja visi, prste i druge dijelove tijela dalje od otvora i pokretnih dijelova uređaja.
 - Isključite sve kontrole prije nego što isključite uređaj iz zidne utičnice.
 - Budite još oprezniji nego inače kada koristite uređaj na stepenicama.
 - Nemojte koristiti uređaj za usisavanje zapaljivih ili gorućih tekućina, poput benzina, ili u blizini zapaljivih ili gorućih tekućina.
 - Možete doživjeti statičko pražnjenje na suhim mjestima s niskom vlagom. Ovo je samo privremena pojava i ne utječe na namjeravanu upotrebu uređaja. Učestalost statičkog pražnjenja može se smanjiti nosačem i ugrađenim ovlaživačem.
- U tu svrhu možete koristiti i crijevo (koje je standardni dodatak na nekim modelima).
- Kako biste izbjegli samozapaljenje, ispraznite spremnik nakon svake uporabe.

▲ UPOZORENJE: Ovaj aparat mogu koristiti osobe sa smanjenim fizičkim, osjetilnim ili mentalnim sposobnostima ili nedostatkom iskustva i znanja, kao i djeca, samo ako su od osobe odgovorne za sigurnost dobile odgovarajuće upute u vezi sa korištenjem aparata. Djeca moraju biti pod nadzorom kako se ne bi igrala s uređajem.

SAČUVAJTE UPUTE ZA UPORABU

DODATNA SIGURNOSNA PRAVILA

- Nemojte usisati predmete koji gore ili se dime, poput cigareta, šibica ili vruće žeravice.
- Nemojte usisati zapaljive ili eksplozivne materijale poput ugljena, žitarica ili drugih fino mljevenih zapaljivih materijala.
- Nemojte koristiti uređaj za usisavanje opasnih, otrovnih ili kancerogenih tvari, poput azbesta ili insekticida.
- Nikada ne usisavajte eksplozivne tekućine (npr. benzin, dizel, loživo ulje, razrjeđivač, itd.) ili kiseline i otapala.
- Ne koristite uređaj bez filtera, osim u slučajevima navedenim pod POSLOVI MOKRO USISAVANJE.
- Određeni drveni materijali mogu sadržavati otrovne konzervanse. Pri radu s takvim tvarima posebno pazite da spriječite udisanje i kontakt s kožom otrovnih tvari. Pitajte proizvođača materijala za raspoloživu sigurnost i slijedite tamo navedene upute.
- Nemojte stati na usisavač.
- Ne stavljajte teške predmete na usisavač.

- Ako koristite produžni kabel, radi sigurnosti odaberite 3-žilni tip s odgovarajućom veličinom za potrošnju energije uređaja.
- Ako koristite produžni kabel na otvorenom terenu, on mora biti označen.

▲ UPOZORENJE:

Kako biste ograničili izloženost kemikaliji, nosite odobrenu osobnu zaštitnu opremu, poput maske za prašinu posebno dizajnirane za filtriranje mikroskopskih čestica.

NA POKLOPCU MOTORA:

▲ UPOZORENJE:

KAKO BISTE SPRIJEČILI OZLJEDE, MORATE PROČITATI UPUTE ZA UPORABU! NE OSTAVLJAJTE USISIVAČ UKLJUČEN BEZ NADZORA. NEMOJTE USISATI ZAPALJIVE, ZAPALJIVE ILI VRUĆE TVARI! NEMOJTE KORISTITI U OKOLIŠU EKSPLOZIVNE OPASNE PRAŠINE, TEKUĆINA ILI PARA! ELEKTRIČNA OPREMA MOŽE EMITIRATI LUČNO PRAŽNJENJE ILI ELEKTRIČNU ISKRU, KOJA MOŽE UZROKOVATI POŽAR ILI EKSPLOZIJU. ZABRANJENO JE KORIŠTENJE UREĐAJA NA BENZINSKIM STAZAMA ILI U BLIZINI MJESTA GDJE SE SKLADUJE I TOČI BENZIN. NE UDIŠITE OTROVNE ILI KANCEROGENE I ŠETNE TVARI, KAO ŠTO SU AZBEST ILI PESTICIDI. UVIJEK NOSITE ODGOVARAJUĆU ZAŠTITNU OPREMU ZA OČI I DIŠNE OPUTE! KAKO BISTE IZBJEGLI STRUJNI UDAR, NE KORISTITE UREĐAJ NA KIŠI! ČUVAJTE UREĐAJ U ZATVORENOM PROSTORU. PRILIKOM POPRAVKA UREĐAJA KORISTITE SAMO ORIGINALNE, TVORNIČKE ZAMJENSKE DIJELOVE! NEMOJTE STATI NA UREĐAJ!

SAČUVAJTE UPUTE ZA UPORABU

UPUTE ZA UPORABU

KORACI RASPAKIRANJA I SASTAVLJANJA

1. Povucite držače spremnika prema van. Uklonite pribor isporučen u spremniku uređaja, poput usisne glave.
2. Montirajte teške, gumirane valjke na uređaj prema uputama u priručniku.
3. Kada koristite različite usisne glave, provjerite priručnik kako biste bili sigurni da koristite ispravne filtre za određenu operaciju čišćenja.
4. Pritisnite bravu na usisnoj glavi palčevima, zatim povucite usisnu glavu na cijev dok ne klikne. Provjerite jeste li također dobro zatvorili jezičke za pričvršćivanje spremnika.
5. Spojite kraj crijeva na ulaz spremnika.
6. Postavite željeni pribor za spajanje na crijevo. Kako bi se osiguralo čvrsto priranje dodatka, mora se primijeniti dovoljan pritisak tijekom sastavljanja.
7. Postavite jedan od dodatka za čišćenje (prema specifičnim potrebama) na nastavak (cijev). Za dovoljno čvrsto priranje glavu postavite lagano zakrenutu.
8. Uključite mrežni utikač uređaja u zidnu utičnicu. Uređaj je sada spreman za upotrebu!

▲ UPOZORENJE:

Kako biste smanjili rizik od požara i eksplozije, nemojte koristiti uređaj za usisavanje zapaljivih plinova, para ili prašine koji sa zrakom stvaraju eksplozivnu smjesu. Takvi zapaljivi plinovi ili pare mogu biti, ali nisu ograničeni na, tekućine za upaljače, sredstva za čišćenje na bazi otapala, boje na bazi ulja, benzin, alkohol ili aerosol sprejevi. Eksplozivne prašine mogu biti, ali nisu ograničene na: ugljena prašina, magnezijeva prašina, aluminijaska prašina, žitarice ili barut. Zabranjeno je koristiti nož za usisavanje eksplozivne prašine, zapaljivih ili zapaljivih tekućina ili užarenog žara! Nemojte koristiti uređaj za prskanje

zapaljivih ili zapaljivih tekućina. Kako biste smanjili rizik od oštećenja zdravlja uzrokovanih raznim parama ili prašinama, nemojte koristiti uređaj za upijanje otrovnih tvari.

▲ UPOZORENJE:

POPRAVKA DVOSTRUKO IZOLOVANOG SUHO-MOKROG USISIVAČA

Dvostruko izolirani suho-mokri usisivači imaju dva izolacijska sustava umjesto uzemljenja. Dvostruko izolirani uređaji nemaju zaštitu od uzemljenja i ne preporučuje se dopuniti uređaj zaštitom od uzemljenja. Za popravak dvostruko izoliranog suho-mokrog usisivača potrebna je povećana pozornost i temeljito poznavanje sustava, stoga ga može izvesti samo kvalificirana osoba. Zamjenski dijelovi koji se koriste za dvostruko izolirani suho-mokri usisivač moraju biti identični u svim aspektima dijelu koji se mijenja. Dvostruko izolirani suho-mokri usisivač ima natpis "DOUBLE INSULATED" (dvostruko izolirani) i, gdje je potrebno, simbol (kvadrat u kvadratu). Kako biste izbjegli oštećenje od strujnog udara, isključite uređaj iz zidne utičnice prije popravka električnih komponenti suho-mokrog usisivača.

▲ UPOZORENJE:

Ako je kabel za napajanje uređaja oštećen, kako biste izbjegli daljnje opasnosti, može ga zamijeniti samo proizvođač, servisni predstavnik proizvođača ili slično kvalificirana osoba.

▲ UPOZORENJE:

Isključite uređaj iz zidne utičnice prije početka radova održavanja. Prije početka uporabe uređaja provjerite odgovara li kvalitet dostupnog mrežnog napona frekvenciji i vrijednostima napona navedenima na natpisnoj pločici uređaja. Tehnički podaci podložni su promjenama bez prethodne najave. Dodaci prikazani na slikama mogu se razlikovati ovisno o vrsti uređaja.

VAŽNE SIGURNOSNE MJERE

Ovaj simbol na proizvodu ili njegovoj ambalaži znači da se s njim ne smije postupati kao s kućnim otpadom na kraju njegovog vijeka trajanja. Predajte uređaj koji je postao otpad na sabirnom mjestu za recikliranje električnih i elektroničkih dodataka. Pravilnim zbrinjavanjem proizvoda možete pridonijeti sprječavanju negativnih utjecaja na okoliš i zdravlje koje bi uzrokovao uređaj kada bi se s njime postupalo kao s općim otpadom. Za informacije o recikliranju obratite se lokalnim vlastima ili tvrtki za prikupljanje otpada ili trgovini u kojoj ste kupili proizvod(e).

ZAŠTITA OKOLIŠA



Odvajeno skupljajte različite sirovine. Proizvodi ili rabljene baterije s ovim simbolom ne smiju se tretirati kao opći kućni otpad. Proizvodi i baterije sadrže materijale koji se mogu obnoviti i reciklirati, čime se smanjuje potreba za sirovinama. Prilikom recikliranja električnih uređaja i baterija uvijek se pridržavajte lokalnih zakona. Za više informacija posjetite www.2helpU.com.

OPIS (slika "A")

▲ UPOZORENJE: Zabranjeno su bilo kakve izmjene opreme stroja i njegovih dijelova! Preinake mogu uzrokovati osobne ozljede ili oštećenje imovine.

- 1 Gornja ručka / stezaljka kabela
- 2 Kabel za napajanje
- 3 Prekidač za uključivanje/isključivanje
- 4 Motorna jedinica
- 5 Jezičci za pričvršćivanje spremnika
- 6 Spremnik
- 7 Usisno crijevo
- 8 Valjci
- 9 Clean Connect™ filter
- 10 Ulaz crijeva
- 11 Stezaljka za crijevo
- 12 Jednokratna vrećica za prašinu

SASTAVLJANJE I PODEŠAVANJE

UREĐAJA (slike A do C)

▲ UPOZORENJE: Kako biste izbjegli ozljede, uvijek isključite uređaj i izvucite ga iz zidne utičnice prije postavljanja ili uklanjanja dodataka, prilagodavanja uređaja ili mijenjanja bilo kakvih postavki. Slučajno uključivanje uređaja može uzrokovati čak i tjelesne ozljede.

▲ UPOZORENJE: Za usisavanje uvijek koristite filter (9), osim u slučajevima navedenim pod **MOKRO USISAVANJE u poglavlju o rukovanju uređajem.**

Priilikom usisavanja sitnozrnate prašine možda će vam trebati i jednokratna vrećica za prašinu koja olakšava pražnjenje spremnika.

1. Postavite jednokratnu vrećicu za prašinu (12) u uređaj prema slici "B".

NAPOMENA: Pazite da ne potrgate vrećicu za prašinu tijekom postavljanja. Za najbolju moguću hermetičnost - a time i učinkovitiji učinak usisavanja - postavite vrećicu na ulaz crijeva (10) tako da se ne može pomicati.

2. Postavite jedinicu motora (4) natrag na spremnik i pričvrstite je jezičcima za pričvršćivanje (5).
3. Spojite kraj crijeva (7) na ulaz crijeva (10) i čvrsto ga pričvrstite za spremnik.

UPRAVLJANJE UREĐAJEM

UPUTE ZA UPORABU (slike A, D, E)

▲ UPOZORENJE: Uvijek slijedite sigurnosne upute i važeće propise.

1. Uključite mrežni utikač uređaja u zidnu utičnicu.
2. Postavite prekidač za uključivanje/isključivanje (3) u položaj "ON" (I).
3. DEWALT usisivač građevinskog otpada također ima DEWALT sustav spajanja. Time se crijevo (7) i dati alat mogu brzo i sigurno spojiti. Priključak (13) povezuje se izravno s DEWALT kompatibilnim alatom pomoću adaptera (prodaje se odvojeno od vašeg lokalnog DEWALT zastupnika). Za sastavljanje adaptera pogledajte sliku "E".
NAPOMENA: Ako koristite adapter, provjerite da adapter dobro pristaje na izlaz alata prije nego što nastavite s koracima u nastavku.

UPUTE ZA UPORABU

UGRADNJA VALJAKA (slike A i F)

1. Okrenite spremnik naopačke, zatim postavite i vijcima pričvrstite valjke na dno spremnika.
2. Vratite spremnik u normalan položaj.

UKLANJANJE I ZAMJENA

JEDNOKRATNE vrećica za prašinu ("A" dijagram)

▲ UPOZORENJE: Prilikom rukovanja vrećicom za prašinu preporučuje se korištenje osobne zaštitne opreme prikladne za zadatak, poput maske za prašinu ili rukavica.

1. Isključite usisivač i izvucite kabel za napajanje iz utičnice.
2. Otvorite jezičke za pričvršćivanje spremnika (5) i uklonite motornu jedinicu (4) iz spremnika.
3. Pažljivo izvucite jednokratnu vrećicu za prašinu (12) kroz ulaz crijeva (10).
4. Dobro zatvorite otvor jednokratne vrećice za prašinu (12) prije nego što je izvadite iz stroja.
5. Jednokratna vrećica za prašinu (12) mora se staviti u spremnik za prikupljanje koji je u skladu s relevantnim zakonskim propisima.

MOKRO USISAVANJE (Slike A i G)

▲ UPOZORENJE: Odmah isključite uređaj ako iscuri pjenasti materijal ili tekućina.

▲ UPOZORENJE: Za prašinu klase L nemojte koristiti ovaj uređaj u ovoj konfiguraciji.

Kada je spremnik pun, kuglasti plovak (14) blokira protok zraka u motor, uzrokujući primjetnu promjenu u zvuku motora. Ako motor postane piskav i protok zraka/vode prestane, ispraznite spremnik.

1. Isključite usisivač i izvucite kabel za napajanje iz utičnice.
2. Otvorite jezičke za pričvršćivanje spremnika (5) i uklonite motornu jedinicu (4) iz spremnika.
3. Ispraznite sadržaj posude (6) u odgovarajuću posudu ili odvod.

▲ OPREZ! Redovito čistite i provjeravajte ima li oštećenja na uređaju za praćenje razine vode. Pogledajte sliku "G".

PAŽNJA: ZABRANJENO je vaditi kuglasti plovak (14) iz uređaja jer se time može oštetiti usisivač. Kuglični plovak štiti motor od prodora vode.

Prije upotrebe usisivača za usisavanje mokrog materijala:
 • Provjerite je li spremnik ispraznjen i nije previše prašnjav.
 • Izvadite filter (9) iz uređaja.

POVRATAK NA SUHO USISAVANJE RUKOVANJE UREĐAJEM (slika "A")

1. Ispraznite spremnik prema uputama danim pod **PRAŽNENJE SPREMNIKA.**
2. Okrenite posudu naopačke dok se potpuno ne osuši. **NEMOJTE** koristiti mokru posudu za prikupljanje suhog materijala.
3. Postavite jedinicu motora (4) na ravnu površinu i pustite da se osuši.
4. Kada je jedinica motora potpuno suha, zamijenite filtre. Pogledajte **UMETANJE FILTERA.**
5. Ako je i spremnik suh, vratite motornu jedinicu (4) natrag na njega i pričvrstite je jezičcima za pričvršćivanje (5).

ISKLUČIVANJE/PRIJEVOZ (slika "A")

1. Postavite prekidač za uključivanje/isključivanje ③ u položaj „OFF“ (ISKLUČENO).
2. Isključite uređaj iz zidne utičnice.
3. Namotajte kabel za napajanje ② na gornju ručku / stezaljku kabela ①, kao što je prikazano na slici.
4. Prilikom transporta u vozilu uvijek osigurajte uređaj da se ne pomiče.

ODRŽAVANJE

DEWALT alati dizajnirani su za dug radni vijek i zahtijevaju samo minimalno održavanje mada kontinuirani i ispravni rad uređaja ovisi i o održavanju i redovitom čišćenju uređaja.

▲ UPOZORENJE: Kako biste izbjegli ozljede, uvijek isključite uređaj i odspojite ga iz zidne utičnice prije postavljanja ili uklanjanja dodataka, prilagodavanja uređaja ili mijenjanja bilo kakvih postavki. Slučajno aktiviranje uređaja može uzrokovati čak i tjelesne ozljede.

▲ UPOZORENJE: Za popravke koje može servisirati korisnik, uređaj se prvo mora rastaviti, očistiti, a popravci koji su razumno izvjeđivi moraju se izvršiti bez ozljeđavanja osoblja za održavanje ili drugih. Odgovarajuće mjere opreza uključuju uklanjanje kontaminacije s uređaja prije rastavljanja, osiguravanje ispušne ventilacije na mjestu rastavljanja, čišćenje prostora za održavanje i korištenje odgovarajuće osobne zaštitne opreme.

- Proizvođač ili ovlaštena osoba dužna je najmanje jednom godišnje izvršiti tehnički pregled uređaja koji obuhvaća npr. provjeru neoštećenosti filtera, zračne brtve i ispravnosti upravljačkog mehanizma.
- Tijekom operacije održavanja ili popravka, svi kontaminirani dodaci koji se nisu mogli dovoljno očistiti moraju se zamijeniti. Kontaminirani pribor mora se staviti u vodootporne vreće u skladu s važećim lokalnim propisima za obradu ove vrste otpada.
- Kod uređaja koji se mogu koristiti kao usisivači prašine mora se osigurati odgovarajuća izmjena zraka u prostoriji ako se odsisani zrak vraća u prostoriju.

NAPOMENA: Konzultirajte lokalne propise ako je potrebno.

FILTER (slike "A", "H" i "I")

ODRŽAVANJE FILTERA

Filteri usisavača dizajnirani su za dug radni vijek. Kako bi se učinkovito smanjila količina prašine koja se vraća u zrak, važno je da su filteri pravilno umetnuti u uređaj i da su u dobrom stanju.

▲ UPOZORENJE: Prilikom rukovanja filterima preporučuje se korištenje osobne zaštitne opreme prikladne za zadatak, poput maske za prašinu ili rukavica.

UKLANJANJE FILTERA

1. Okrenite prekidač za uključivanje/isključivanje ③ u položaj "ISKLUČENO" (O) i izvucite utikač iz utičnice.
2. Otvorite jezičke za pričvršćivanje spremnika ⑤ i uklonite motornu jedinicu ④ iz spremnika. Postavite jedinicu motora ④ na ravnu površinu i ostavite da se osuši.
3. Držite plastični krajnji poklopac i okrenite filtre ⑨ jedan po jedan u smjeru suprotnom od kazaljke na satu, zatim ih pažljivo podignite s jedinice motora. Tijekom rada pazite da rhotine ne padnu u otvor za pričvršćivanje.

NAPOMENA: Pazite da ne oštetite materijal filtera tijekom ovog postupka.

4. Za čišćenje donje strane jedinice motora koristite krpu navlaženu vodom i blagim sapunom i pustite da se osuši. Krpu korištenu za čišćenje stavite u odgovarajući spremnik za otpad.
5. Provjerite da li je filter istrošen, ima li pukotina i drugih oštećenja.

NAPOMENA: Ako niste sigurni da je stanje filtra ispravno, taj filter MORATE ZAMIJENITI. Oštećeni filteri se NE smiju dalje koristiti.

▲ UPOZORENJE: Zabranjeno je koristiti komprimirani zrak ili četku za čišćenje filtera, jer mogu oštetiti membranu filtera, uzrokujući prolazak čestica prašine kroz filter.

Ako je potrebno, nježno udarite filter o tvrdu površinu, zatim isperite vodom sobne temperature i ostavite da se osuši. Filtre obično nije potrebno čistiti, čak i ako se na njima stvorio sloj prašine. Sustav automatskog čišćenja filtera održava maksimalnu učinkovitost filtera i kontinuirani rad. Ako postoji vidljivo oštećenje membrane filtera, zamijenite filter. Svaki filter se obično može koristiti šest do dvanaest mjeseci, ovisno o učestalosti korištenja i održavanju uređaja.

UMETANJE FILTERA

1. Provjerite je li brtva filtera ⑮ čvrsto na mjestu.
 2. Poravnajte navoje filtera ⑮ s navojima sklopa motora, zatim okrenite filter u smjeru kazaljke na satu umjerenom snagom dok čvrsto ne sjedne.
- NAPOMENA:** Pazite da ne oštetite materijal filtera tijekom ovog postupka.
3. Postavite jedinicu motora ④ natrag na spremnik i pričvrstite je jezičcima za pričvršćivanje ⑤.

PRAŽNENJE SPREMNIKA (slika "J")

▲ UPOZORENJE: Kako biste izbjegli štetu uzrokovanu slučajnim uključivanjem uređaja, isključite uređaj iz zidne utičnice prije pražnjenja spremnika.

1. Uklonite sklop mlaznice mokro-suhog usisivača povlačenjem pričvršnih kopči s obje strane usisavača prema van. Podignite sklop mlaznice s mjesta.
2. Ispraznite sadržaj spremnika u odgovarajući spremnik za sakupljanje otpada.

FUNKCIJA ISPUHIVANJA PRAŠINE

▲ UPOZORENJE: Radi sigurnosti osoba u blizini, nemojte usmjeravati otpuhani otpad prema njima.

▲ OPREZ! Ako se tijekom ispuhivanja stvara prašina koja se može udahnuti, nosite masku za prašinu.

▲ OPREZ! Kako biste spriječili oštećenje sluha, nosite zaštitu za uši kada dugotrajno koristite usisivač/puhač ili na bučnim mjestima.

SPAJANJE ALATA (slike "K" i "L")

1. Provjerite je li glavni prekidač ③ u položaju "OFF" i je li kabel za napajanje uređaja izvučen iz zidne utičnice.
2. U sljedećem koraku možete odabrati dvije opcije: Spojite kabel za napajanje uređaja u zidnu utičnicu i postavite glavni prekidač ③ u položaj "ON" (I). U tom slučaju, usisivač se uključuje. Spojite kabel za napajanje uređaja u zidnu utičnicu i postavite glavni prekidač ③ u položaj "ON" (II): na taj način će se uključiti priključeni alatni stroj.

▲ UPOZORENJE: Koristite izlazni priključak usisavača samo za spajanje vanjskog električnog alata. Usisivač se može automatski uključiti i isključiti s priključenog alatnog stroja.

Opterećenje priključenog alatnog stroja ne smije prekoračiti maksimalno dopušteno opterećenje (PA) izlaznog priključka usisavača. Također se pridržavajte uputa za uporabu i sigurnosnih upozorenja za alatni stroj spojen na izlaz usisavača. **PREPORUKA:** Usisavač uvijek koristite sa zaštitom od preostale struje od maksimum 200 mA ili manje. Prije spajanja alatnog stroja na usisavač, provjerite je li glavni prekidač alatnog stroja u položaju "OFF". Nakon isključivanja električnog alata spojenog na utičnicu usisavača, usisavač će nastaviti raditi za još otpr. 15 sekundi i zatim se automatski isključuje.

ELEKTRIČNA BEZBEDNOST

- Utikač alatnog stroja mora stati u utičnicu. Zabranjeno su bilo kakve izmjene utikača! Nikada nemojte koristiti spojne adaptere s uzemljenim električnim alatima.** Korištenje nepromijenjenog utikača i kompatibilne utičnice smanjuje rizik od strujnog udara.
- Izbjegavajte dodirivanje uzemljenih površina. To mogu biti cjevovodi, radijatori, uređaji i hladnjaci. Ako uzemljite vlastito tijelo, opasnost od strujnog udara je veća.**
- Zaštite alatni stroj od kiše i vlažnog okruženja.** Ulazak vode u alatni stroj povećava opasnost od strujnog udara.
- Nemojte bezbrižno koristiti kabel za napajanje. Nemojte koristiti kabel za napajanje za nošenje, povlačenje ili isključivanje električnog alata iz zidne utičnice.** Kabel za napajanje uvijek držite podalje od izvora topline, ulja, oštih rubova i pokretnih dijelova. Korištenje oštećenog ili zapetljanog kabela za napajanje povećava rizik od strujnog udara.
- Ako alatni stroj koristite na otvorenom mjestu, upotrijebite produžni kabel ili bubanj za kabele prikladan za vanjsku upotrebu.** Korištenje produžnog kabela prikladnog za vanjsku upotrebu smanjuje rizik od strujnog udara.
- Ako alatni stroj morate koristiti na mokrom mjestu, koristite utičnicu zaštićenu od preostale struje.** Opasnost od strujnog udara smanjuje se upotrebom zaštitne naprave za zaostalu struju.
- Elektromotor je projektiran za određeni napon. Uvijek provjerite odgovara li napon naveden na natpisnoj pločici alata naponu izvora napajanja. Ako je kabel za napajanje oštećen, smije ga zamijeniti samo DEWALT ili DEWALT ovlašteni servisni centar.

ZAMJENA UTIKAČA (SAMO U UJEDINJENOM KRALJEVSTVU I IRSKOJ)

Ako je utikač potrebno zamijeniti:

- Pravilno zbrinite stari utikač.
 - Spožite smeđu žicu na konektor žice pod naponom novog utikača.
 - Spožite plavu žicu na konektor neutralne žice.
 - Spožite žuto/zelenu žicu na konektor žice za uzemljenje.
- Slijedite upute za korištenje kvalitetnog utikača. Preporučeni osigurač: 13 A.

▲ UPOZORENJE: Nemojte koristiti konektor za rasvjetu. Zabranjeno je spajanje žice pod naponom (L) ili neutralne (N) na utičnicu za uzemljenje označenu s "E".

KORIŠTENJE PRODUŽNOG KABELA

Ako koristite produžni kabel, odaberite 3-žilni tip veličine koja odgovara potrošnji električne energije danog alatnog stroja. Minimalni presjek vodiča je 1,5 mm²; maksimalna duljina 30 m. Ako koristite produžni kabel na bubnju za kabele, uvijek ga potpuno odmotajte prije početka rada.

FUNKCIJA PUHANJA (slika "C")

▲ UPOZORENJE: Radi sigurnosti osoba u blizini, nemojte usmjeravati otpuhani otpad prema njima. Usisavač ima i funkciju ispuhivanja prašine. Uređaj može ukloniti pljevinu i druge ostatke s funkcijom ispuhivanja prašine. To se može koristiti za ispuhivanje prašine ili krhotina iz, na primjer, garaže, s terase ili prilaza. Slijedite korake u nastavku za korištenje funkcije ispuhivanja prašine uređaja.

- Pronađite izlaz puhalo na uređaju.
- Postavite jedan kraj usisnog crijeva u izlaz puhalo.
- Prebacite uređaj u položaj "ON".

SKLADIŠTENJE (Slika A)

- Ispraznite spremnik prema uputama danim pod **PRAŽNENJE SPREMNIKA**.
- Očistite usisivač iznutra i izvana. Vidi u opisu **ČIŠĆENJE**.
- Očistite ili zamijenite filtre. Vidi u opisu **FILTERI**.
- Postavite usisno crijevo i kabel za napajanje kako je prikazano na slici "A". Uređaj postavite u suhu prostoriju gdje mu neovlaštene osobe ne mogu pristupiti.

OPCIONALNI PRIBOR

▲ UPOZORENJE: Dodaci osim onih koje preporučuje DEWALT nisu testirani s proizvodom, njihova uporaba može biti opasna. Kako biste smanjili rizik od ozljeda, koristite samo pribor koji preporučuje DEWALT za ovaj proizvod.

ČIŠĆENJE

Kako biste održali ispravno vanjsko stanje suho-mokrog usisivača, redovito čistite vanjske površine uređaja krpom navlaženom toplom vodom i blagim sapunom.

Čišćenje spremnika:

- Pražnjenje otpadaka.
- Temeljito operite spremnik toplom vodom i blagim sapunom.
- Obrišite suhom krpom.

RJEŠAVANJE PROBLEMA

▲ UPOZORENJE: DA BISTE SMANJILI RIZIK OD OZLJEDA OD POKRETNIH DIJELOVA ILI STRUJNOG UDARA, ISKLJUČITE JEDINIČU I ODSPOJITE KABEL ZA NAPAJANJE IZ ZIDNE UTIČNICE PRIJE POČETKA RJEŠAVANJA PROBLEMA.

Manje probleme obično je moguće popraviti samostalno, bez posjete korisničke službe.

PROBLEM	RJEŠENJE
Motor se ne okreće.	Provjerite kabel za napajanje, utikače i zidnu utičnicu. Provjerite je li glavni prekidač u poziciji (I) „ON“ (uključen).
Snaga usisavanja se smanjuje.	Uklonite strane predmete iz glave, produžnih nogu, usisnog crijeva ili filtra, koji ometaju slobodan protok zraka. Zamijenite jednokratnu vrećicu za prašinu.
	Provjerite je li filter ispravno umetnut.
	Očistite ili zamijenite filter.
	Ispraznite spremnik. Vidite "PRAŽNENJE SPREMNIKA" u poglavlju "Korištenje uređaja".

<p>Usisivač se isključuje tijekom uporabe.</p>	<p>Prekidač za zaštitu od pregrijavanja ga isključuje: 1. Isključite usisavač i izvucite utikač iz zidne utičnice. 2. Ako je potrebno, ispraznite spremnik. 3. Pričekajte dok se uređaj ne ohladi na sobnu temperaturu. 4. Kako biste provjerili uređaj, uključite kabel za napajanje u odgovarajuću zidnu utičnicu i postavite glavni prekidač u položaj "ON".</p>
<p>Tijekom usisivanja prašina napušta uređaj.</p>	<p>Provjerite je li filter ispravno umetnut. Provjerite da filteri nisu oštećeni; zamijenite filter ako je potrebno. Provjerite jesu li sve brtve na mjestu i da se ne mogu pomicati. Provjerite jedinicu motora.</p>

▲ UPOZORENJE:

Ako je kabel za napajanje uređaja oštećen, smije ga zamijeniti samo proizvođač, servisni predstavnik proizvođača ili slično kvalificirana osoba kako bi se izbjegle daljnje opasnosti.

▲ UPOZORENJE:

Proizvod se ne može koristiti za filtriranje patogena, poput virusa koji uzrokuje bolest COVID-19. Slijedite sve lokalne, državne ili savezne smjernice za opće postupke čišćenja.

GARANCIJA NA ALAT



DEWALT vjeruje u kvalitetu vlastitih proizvoda, zbog čega nudi vrhunsko jamstvo za profesionalne/industrijske proizvode. Jamstvo ne mijenja vaša ugovorna prava kao profesionalnog korisnika ili vaša zakonska prava kao pojedinca, neprofesionalnog korisnika, već ih nadopunjuje. Jamstvo vrijedi na području država članica Europske Unije i Europskog Ekonomskog Pojasa. Prema uvjetima DEWALT europskog PT jamstva, koje vam je također dostupno u DEWALT uredima, kod trgovca ili na web stranici www.2helpU.com, ako se vaš DEWALT proizvod pokvari zbog greške u materijalu ili izradi unutar 36 mjeseci od datuma kupnje, zatim prema vlastitom nahođenju DEWALT-a, osigurava besplatnu zamjenu svih neispravnih dijelova ili cijele jedinice. DEWALT zadržava pravo odbijanja jamstvenih zahtjeva ukoliko na temelju mišljenja ovlaštenog servisa ne udovoljava navedenim uvjetima DEWALT europskog jamstva. Za podnošenje jamstvenog zahtjeva kontaktirajte svog prodavača ili posjetite najbliži DEWALT servisni centar online ili iz DEWALT kataloga ili posjetite DEWALT ured na adresi navedenoj u korisničkom priručniku. Popis DEWALT ovlaštenih servisnih usluga i potpuni opis naše korisničke službe možete pronaći na sljedećoj web stranici: www.2helpU.com.

3 GODINE JAMSTVA NA DEWALT EUROPSKE ALATE (PT)

DEWALT europsko PT jamstvo za vaš proizvod vrijedi 3 godine od datuma kupnje prema dolje navedenim uvjetima.

1. Opći uvjeti

1.1. DEWALT europsko PT jamstvo od 3 godine odnosi se na originalnog korisnika DEWALT proizvoda koji je kupio proizvode od ovlaštenog DEWALT europskog distributera za korištenje u svojoj trgovini ili profesiji. DEWALT europsko PT jamstvo ne odnosi se na osobe koje kupe DEWALT proizvod u svrhu daljnje prodaje ili iznajmljivanja.

1.2. Ovo jamstvo nije prenosivo. Jamstvo se odnosi samo na izvornog korisnika DEWALT proizvoda koji je kupio proizvod, kao što je gore opisano.

1.3. Uz uvjete opisane u ovom dokumentu, vrijede i uvjeti DEWALT europskog jamstva.

1.4. Popravlak ili zamjena pod jamstvom ne produljuje niti obnavlja razdoblje jamstva. Jamstveni rok od tri godine počinje od datuma originalne kupnje i završava se 36 mjeseci nakon toga.

1.5. Ovaj proizvod nije obuhvaćen policom DEWALT 30-1-1 koja je povučena 01.01.2016.

2. Proizvodi isključeni iz DEWALT europskog PT 3-godišnjeg jamstva

Uz proizvode navedene u odjeljku 3 DEWALT europskog PT 3-godišnjeg jamstva, sljedeći proizvodi marke DEWALT također nisu pokriveni jamstvom:

Alati za pričvršćivanje, kao što su zabijači, strojni udarni alati.

Baterije i punjači baterija.

Restaurirani ili obnovljeni proizvodi koji su označeni kao "Tvornička obrada" i/ili "Q".

Kompresori i generatori.

3. Podnošenje jamstvenog zahtjeva

3.1. Za podnošenje zahtjeva za jamstvo, kontaktirajte svog prodavača ili pronađite najbliži DEWALT servisni centar na www.2helpU.com

3.2. DEWALT alat zajedno sa svim dijelovima i originalnim dokazom o kupnji vratite na adresu prodavatelja ili ovlaštenog DEWALT servisa.

3.3. DEWALT zadržava pravo odbijanja jamstvenih zahtjeva ako se reklamacija, na temelju mišljenja ovlaštenog servisa, ne može smatrati kvarom zbog materijalne greške ili greške u proizvodnji prema gore navedenim uvjetima DEWALT europskog PT jamstva

4. Izmjena uvjeta jamstva

4.1. DEWALT zadržava pravo promjene uvjeta jamstva, razdoblja i jamstvenih proizvoda bez prethodne obavijesti prema DEWALT-ovom vlastitom nahođenju.

4.2. Trenutačni uvjeti DEWALT europskog PT jamstva dostupni su na www.2helpU.com, kod vašeg lokalnog DEWALT zastupnika ili DEWALT ureda.

Belgique et Luxembourg België en Luxemburg	DEWALT - Belgium BVBA Egdie Walschaertstraat 16 2800 Mechelen	Tel: NL 32 15 47 37 63 Tel: FR 32 15 47 37 64 Fax: 32 15 47 37 99	www.dewalt.be Enduser.be@SBDinc.com
Bosnia-Herzegovina	G-M&M D.O.O. BRVACE 11 1290 GROSUPLJE SLOVENIJA	Tel: +386 01 78 66 500 Fax: +386 01 78 63 023	www.g-mm.si gmm@g-mm.si
Bulgaria	TASHEV-GALVING LTD 68 KLIMENT OHRIDSKI BLVD. 1756 SOFIA, BULGARIA	Tel: +359 2 700 45 45 4 Fax: +359 (2) 439 21 12	www.tashev-galving.com
Croatia	G-M&M D.O.O. BRVACE 11 1290 GROSUPLJE SLOVENIJA	Tel: +386 01 78 66 500 Fax: +386 01 78 63 023	www.g-mm.si gmm@g-mm.si
Czech Republic	BAND SERVIS CZ S.R.O. K PASEKAM 4440 760 01 ZLIN, CZECH REPUBLIC	Tel: +420 577 008 550 Fax: +420 577 008 559	www.dewalt.cz www.bandservis.cz
Danmark	DEWALT Roskildevej 22 2620 Albertslund	Tel: +420 577 008 550 Fax: +420 577 008 559	www.dewalt.dk kundeservice.dk@sbinc.com
Deutschland	DEWALT Richard Klingler Str. 11 65510 Idstein	Tel: 06126-21-1 Fax: 06126-21-2770	www.dewalt.de infodwge@sbinc.com
Δλλάδα	DEWALT (ΕΛΛΑΔΑ) Α.Ε. ΕΡΓΑΤΕΡΙΑ ΠΑΡΕΙΑ - ΣΥΝΘΕΤΙΚΟΣ Κ.Α. Βουλιαγμένης, Πλατεία 16874, Αθήνα SERVICE - Πρώτης Τροχιάς 2 (Δ/ση Α50/μ) - 193 00 Αρμόλιων	Τηλ: 00302108981616 Φαξ: 00302108983570	www.dewalt.gr Greece.Service@sbinc.com
España	DEWALT Ibérica, S.C.A. Parc de Negocios Mas Blau Edificio Muntadas, c/Bergadà, 1, Of. A6 08820 El Prat de Llobregat (Barcelona)	Tel: 934 797 400 Fax: 934 797 419	www.dewalt.es respuesta.postventa@sbinc.com
Estonia	AS TALLMAC MUSTAME TEE 44, EE-10621 TALLINN	T: +372 6562999 F: +372 6562855	www.tallmac.ee/est
France	DEWALT 5, allée des Hélores CS60105, 68679 Limonest Cedex	Tel: 04 72 20 39 20 Fax: 04 72 20 39 00	www.dewalt.fr scufr@sbinc.com
Schweiz Suisse Svizzera	DEWALT In der Luherzen 42 8902 Urdorf	Tel: 044 - 755 60 70 Fax: 044 - 730 70 67	www.dewalt.ch service@rofao.ch
Hungary	FBIT Hungary Kft. 3528 Miskolc, Zsuzka kapu 9-11 / 49	Tel: +36 46 500 385	http://ma.fbit-service.com blackanddecker@hufbit-service.com
Ireland	DEWALT 210 Bath Road, Slough, Berks SL1 3YD, UK	Tel: +44 (0)1753 511234 Fax: +44 (0)1753 512365	www.dewalt.ie
Italia	DEWALT via Energypark 20871 Vimercate (MB), IT	Tel: 800-014353 39 039 9590200 Fax: 39 039 9590313	www.dewalt.it
Latvia	LIC GOTUS SIA ULBROKAS STR. LT - 1021 RIGA	T: +371 67556949 F: +371 67555140	www.licgotus.lv
Lithuania	LIAB ELRENTA OU NERIES KR. 16E LT - 48402 KAUNAS	T: +370-685-29035 F: +370-37-406540	info@elrenta.lt
Malta	ENERGYPARKBUILDING 03 SUD, VIA ENERGY PARK 620871 VIMERCATE (MB), ITALIA	Tel: 039-9590-200 Fax: 039-9590-313	www.2helpit.com
Nederlands	DEWALT Netherlands BV Postbus 83	Tel: 31 164 283 063 Fax: 31 164 283 200	www.dewalt.nl Enduser.NL@SBDinc.com
Norge	DEWALT Postboks 4613, Nydalen 0405 Oslo		www.dewalt.no kundeservice.no@sbinc.com
Österreich	DEWALT Werkzeug Vertriebsges m.b.H Oberfaersstrasse 246, A-1230 Wien	Tel: 01 - 66116 - 0 Fax: 01 - 66116 - 614	www.dewalt.at service.austria@sbinc.com
Poland	ERPATECH UL. BAKALIOWA 26 05-080 MOCISZKA	Tel: +48 22 431 05 00 Fax: +48 22 468 87 35	www.dewalt.pl www.ergatech.pl/servis servis@erpatech.pl
Portugal	DEWALT Limited, SARL Centro de Escritórios de Sintra Avenida Almirante Gago Coutinho, 132/134, Edifício 14 2710-418 Sintra	Tel: 214 66 75 00 Fax: 214 66 75 80	www.dewalt.pt resposta.posvenda@sbinc.com
Romania	STANLEY BLACK & DECKER PROFENICA BUSINESS CENTER STRADA TURTURELEOR, NR 11A, ETAJ 6, MODUL 15, SECTOR 3 BUCURESTI	T: +4021.320.61.04.05 F: +4037.225.36.84	www.dewalt.ro
Serbia	SG-M&M D.O.O. BRVACE 11 1290 GROSUPLJE SLOVENIJA	T: +386 01 78 66 500 F: +386 01 78 63 023	www.2helpit.com www.g-mm.si gmm@g-mm.si
Slovakia	BAND SERVIS S.R.O. PAULINSKA 22 917 01 TRNAVA, SLOVAKIA	Tel: +421 335 511 063 Fax: +421 335 512 624	www.2helpit.com www.bandservis.sk
Slovenia	G-M&M D.O.O. BRVACE 11 1290 GROSUPLJE SLOVENIJA	T: +386 01 78 66 500 F: +386 01 78 63 023	www.dewalt.com www.g-mm.si gmm@g-mm.si
Suomi	DEWALT PL 47 00521 Helsinki		www.dewalt.fi asiakaspalvelu.fi@sbinc.com
Sverige	DEWALT Box 94 431 22 Mölndal		www.dewalt.se kundservice.se@sbinc.com
United Kingdom	DEWALT 210 Bath Road, Slough, Berks SL1 3YD	Tel: 01753-967055 Fax: 01753-972112	www.dewalt.co.uk emeaservice@sbinc.com

EC-Declaration of Conformity Machinery Directive



ALTON declares that these products described under

Technical Data are in compliance with:

2006/42/EC, EN60335-1 / EN60335-2-69

*These products also comply with Directive, 2011/65/EU and
(EU) 2015/863*

Copyright © 2023 DeWALT.

*DeWALT®, the DeWALT® Logo and GUARANTEED TOUGH®
are trademarks of Stanley Black & Decker Inc, or an affiliate
thereof and are used under license.*

Manufactured under license by Alton Ltd. Group

For more information, please contact ALTON

at the following address:

Alton Europe BV

Logistiekweg 18

4906 AB Oosterhout

The Netherlands

E: EUSales@altonindustries.com

*For Customer Service please visit our Online Customer Service Centre at
www.2helpU.com*